

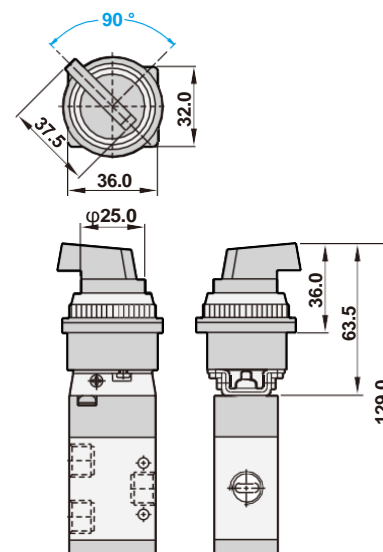
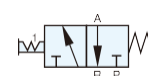
Features

- * To be installed in moving devices like air cylinder, slide...etc.
- * Various operating styles.
- * Panel bore size $\phi 30$ (Option $\phi 25$).

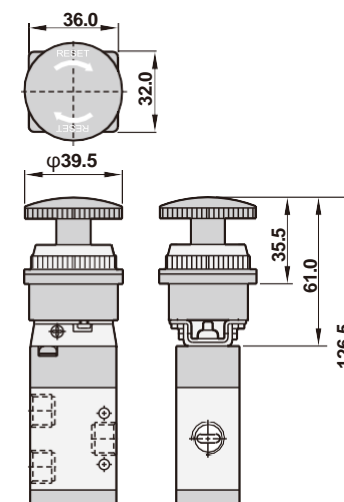
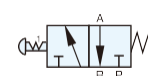


Dimensions

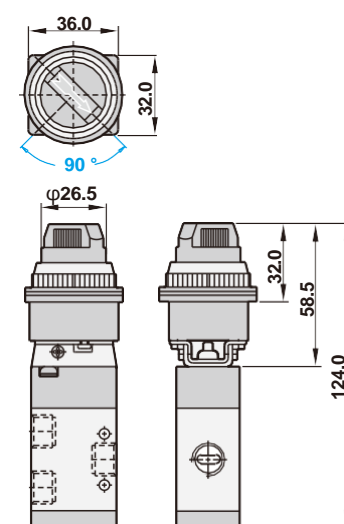
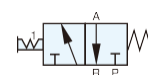
LB



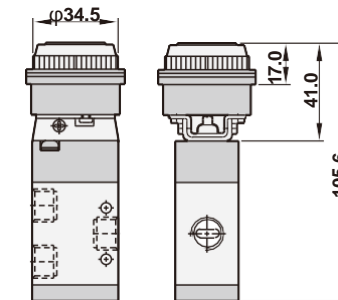
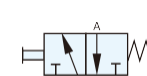
EB



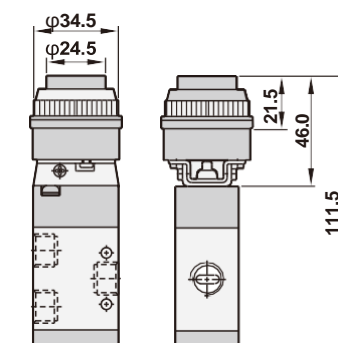
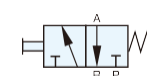
TB



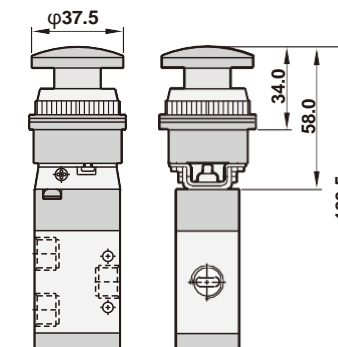
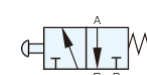
PP



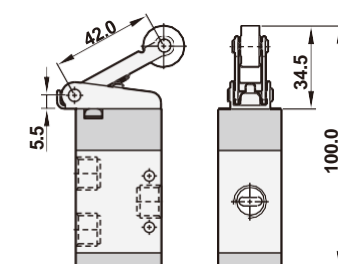
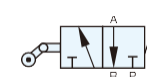
PPL



PB



R



How to order

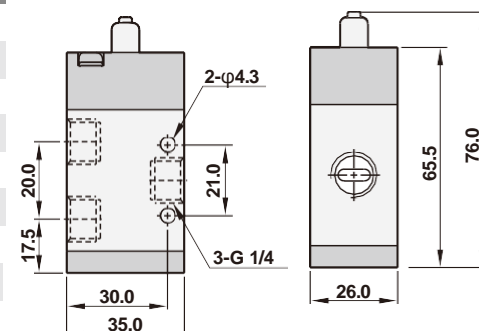
MSV9832		02	N	R	G
Mechanical valves		Port size	Thread	Operator	Operator color
32	3/2 Way	02 1/4" Option 1/8"	Blank N G NPT R Rc	R Roller TB Twist selector LB Long twist selector PB Palm button (Mushroom) PP Palm button (Flush) PPL Palm button (Extended) EB Stop cock button	Blank Standard color G Green B Black Y Yellow

Specifications

Model	MSV9832-02
Port size	1/4" (Option 1/8")
Body material	Aluminum alloy
Panel dimension	30mm (Option:25mm)
Fluid	Compressed air
Sectional area	18mm ²
Operating pressure range	0 ~ 9 kgf/cm ²
Proof pressure	10 kgf/cm ²
Ambient temperature	-10°C ~ 60°C
Standard operator color	Black: TB, LB; Red: PB, PP, PPL, EB

Dimensions

MSV9832-02



MECHANICAL VALVES

MECHANICAL VALVES