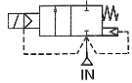


Media: air – water – steam – light oil  
 Pressure range: 0.3 to 10 Bar max  
 Media temperature: -10°C to +180°C Max  
 Ambient temperature: -20°C to +50°C  
 Media viscosity: 50 centistokes max  
 Mounting: upright (+/- 15° from vertical)  
 Opening / Closing 200 mSec Max



NC

# 2/2 Bronze Steam

## 3/4 - 2

### NORMALLY CLOSED

### 2 WAY SERVO ASSISTED

### 0.3 – 10 Bar

## TYPE MTS



#### PRESSURE

Ø Port BSPT	Ø Orifice (mm)	Flow Cv	Pressure Rating (Bar)ΔP			Part Number	
			Min	Max Steam	Max Air/ Water		Max Oil
3/4	20	105.8	0.3	10	8	7	MT20SM17 + voltage
1	25	171.6	0.3	10	8	7	MT25SM17 + voltage
1 1/4	33	429	0.3	10	8	7	MT32SM17 + voltage
1 1/2	43	614.9	0.3	10	8	7	MT40SM17 + voltage
2	53	686.4	0.3	10	8	7	MT50SM17 + voltage

#### OPTIONS

IP65 Coil & Connector  
 Normally open (+90C Max) **Included +10%**

#### ELECTRICAL DATA

Voltage (-10% + 10%) Continuous duty 50% 1 Hour Max	Coil	Power Consumption		Insulation class	Enclosure	Electrical Connections
		Inrush	Holding			
~ 24 - 110 - 230 (50 or 60 Hz)	M17	35VA	26VA	N 200°C	IP65 with connector	3 spades DIN43650 DIN40050 VDE0110
= 24 (DC) (12vdc with flying lead wires)		21 Watts				

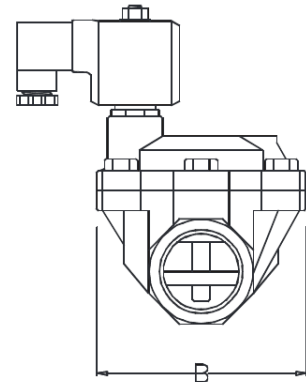
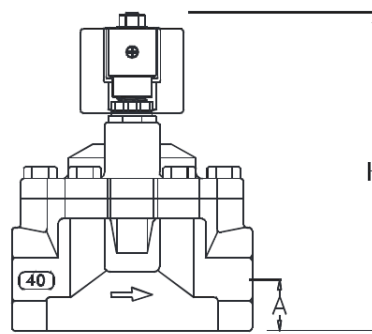
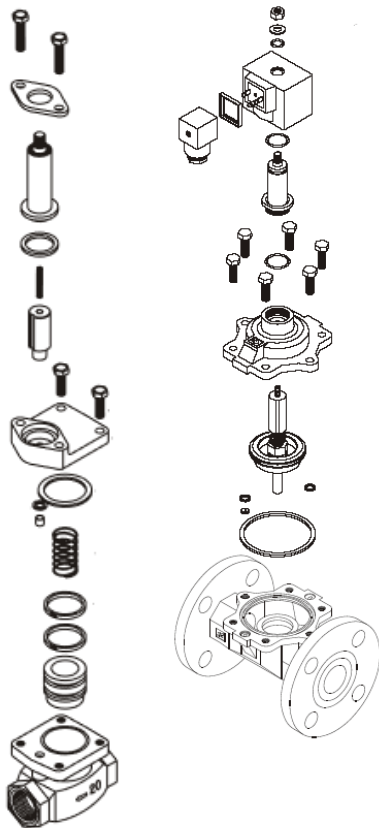
#### CONSTRUCTION

Body: Bronze BC6  
 Piston: Stainless steel 303,304, KM31 and Bronze BC6, PTFE  
 Tube: Stainless steel 304 & KM31  
 Seals and gaskets: PTFE & Graphite impregnated PTFE

#### REPAIR KIT

Coil	M17 + Voltage
Complete plunger + O' rings	KIT + valve part number

#### OVERALL DIMENSIONS



Model	Port	L (mm)	H (mm)	A (mm)	B (mm)
MT20SM17	3/4	80	145	19	46
MT25SM17	1	100	160	24	53
MT32SM17	1 1/4	125	170	27	102
MT40SM17	1 1/2	140	178	31	122
MT50SM17	2	160	193	37	132

