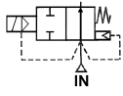


Media: slight acid – alkali – water - gas  
 Pressure range: 0.5 to 10 Bar max  
 Media temperature: -10°C to +80°C  
 Ambient temperature: +5°C to +60°C  
 Media viscosity: 50 centistokes max  
 Mounting: coil upright



NO

# 2/2 Delrin

## 3/8 – 1 1/2

### NORMALLY OPEN

### 2 WAY SERVO ASSISTED

### 0.5 – 10 Bar

## TYPE NOPA



#### PRESSURE

Ø Port BSP	Ø Orifice (mm)	Flow Kv Ltr/Min	Pressure Rating (Bar) ΔP		Seals	Max Media Temp. °C	Part Number
			Min	Max			
3/8	15	64.4	0.5	10	FKM EPDM NBR	80	NOPA14V + voltage NOPA14E + voltage NOPA14N + voltage
1/2	15	64.4	0.5	10	FKM EPDM NBR	80	NOPA15V + voltage NOPA15E + voltage NOPA15N + voltage
3/4	20	133	0.5	10	FKM EPDM NBR	80	NOPA20V + voltage NOPA20E + voltage NOPA20N + voltage
1	25	188.8	0.5	10	FKM EPDM NBR	80	NOPA25V + voltage NOPA25E + voltage NOPA25N + voltage
1 1/4	35	371.8	0.5	10	FKM EPDM NBR	80	NOPA35V + voltage NOPA35E + voltage NOPA35N + voltage
1 1/2	35	371.8	0.5	10	FKM EPDM NBR	80	NOPA40V + voltage NOPA40E + voltage NOPA40N + voltage

#### OPTIONS

IP67 (EN60529:1991+A1:2000) UL & CSA approved coil & IP67 connector – DIN 43650 A  
 Silver Shading Ring (NOPAXXX + S + voltage)  
 \* VST, Neoprene, Silicone, ECO, HNBR or Hypalon Seals

**Included**

#### ELECTRICAL DATA

	Voltage (-10% + 10%) Continuous duty 100%	Coil	Power Consumption		Insulation class	Enclosure	Electrical connection
			Inrush	Holding			
~	24 - 110 - 230 - 380 (50 or 60 Hz)	WPG2	18.7VA	15.3VA	H 180°C	IP 67 with connector	3 spades DIN 43650 DIN 40050 VDE 0110
=	12 - 24 - 48 - 125 (DC)		18 Watts				

#### CONSTRUCTION

Body: Poly-acetate, Tube and Spring: 304 Stainless Armature: 430F Stainless other internal parts 316 Stainless  
 Moulded coil: Resin

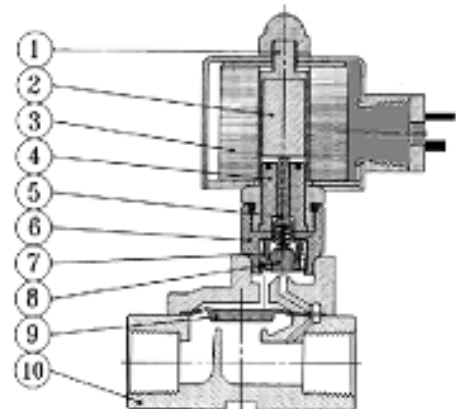
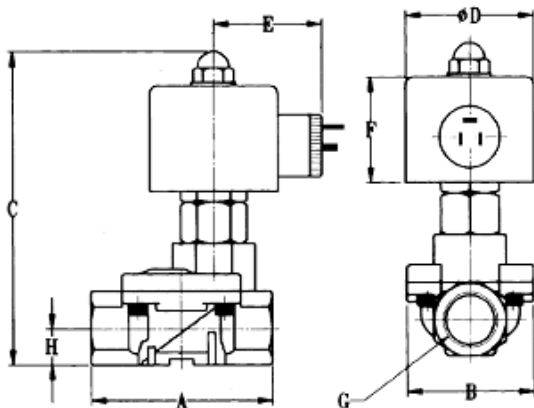
#### REPAIR KIT

Diaphragm	SP + Valve Part Number -DIAPHRAGM
Coil	WPG2 + voltage
Armature + seal	SP + Valve Part Number -ARMATURE

#### OVERALL DIMENSIONS

Model	A	B	C	D	E	F	Kg
NOPA14	73.5	48	128	40	65	38	1.32
NOPA15	73.5	48	128	40	65	38	1.32
NOPA20	104	90	147	40	65	38	1.6
NOPA25	104	90	147	40	65	38	1.65
NOPA35	120	120	170	40	65	38	1.8
NOPA40	132	120	170	40	65	38	1.85

1	Tube	Stainless
2	Slide Block	Stainless
3	Coil	Brass Wire
4	Armature Core	Stainless
5	Sliding link	Stainless
6	Joint	Stainless
7	Spring	Stainless
8	Seals	NBR, EPDM, FKM
9	Valve Body	P.O.M.



Direction of Flow  
 when power is off