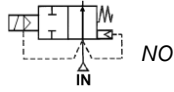


Media: air – water – light oil - steam  
 Pressure range: 0.5 to 20 Bar max  
 Media temperature: +180°C Max  
 Ambient temperature: -20° to +60°C  
 Media viscosity: 50 centistokes max  
 Mounting: coil upright  
 Opening / Closing 200 mSec Max



# 2/2 Steam

1/8 – 2  
 NORMALLY OPEN  
 2 WAY DIRECT/ SERVO  
 0 – 20 Bar  
 TYPE NOSA



### PRESSURE

Ø Port BSP	Ø Orifice (mm)	Flow Kv Ltr/ min	Pressure Rating (Bar) ΔP			Part Number
			Min	Max Steam	Max Air/ Water	
1/8	3	4.43	0	10	10	NOSA6A + voltage
1/4			0	10	10	NOSA8A + voltage
3/8	4	8.29	0	10	10	NOSA10A + voltage
	15	64.35	0.5	12	20	NOSA14 + voltage
0.5			12	20	NOSA15 + voltage	
3/4	20	133	0.5	12	20	NOSA20 + voltage
1	25	188.76	0.5	12	20	NOSA25 + voltage
1 1/4	35	371.8	0.5	12	20	NOSA35 + voltage
1 1/2	35	371.8	0.5	12	20	NOSA40 + voltage
2	50	686.4	0.5	12	20	NOSA50 + voltage

### OPTIONS

IP67 (EN60529:1991+A1:2000) UL + CSA approved coil & IP67 LED connector DIN43650A  
 NPT Thread  
 WPA3C IP54 Class N coil with 30cm flying leads 22 Watts  
 Other custom-made options available upon request

Included

### ELECTRICAL DATA

Voltage (-10% + 10%) Continuous duty 100%	Coil	Power Consumption		Insulation class	Enclosure	Electrical connections
		Inrush	Holding			
= 12 - 24 - 48 (DC)	WPG2	18.7VA	15.3VA	H 180°C	IP 67 With Connector	3 spades DIN 43650 DIN 40050 VDE0110
~ 24 - 110 - 230 (50 or 60 Hz)		18 Watts				

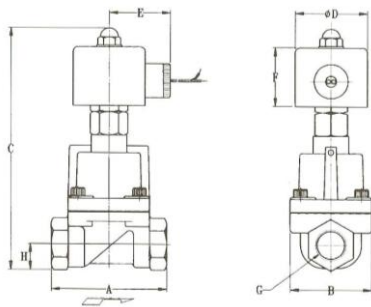
### CONSTRUCTION

Body: Brass  
 Tube and internal parts: Stainless steel  
 Seals and gaskets: PTFE  
 Moulded coil: Resin

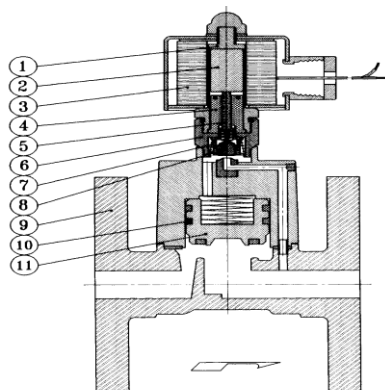
### REPAIR KIT

Coil	WPG2 + voltage
Piston	SP + Valve Part Number -PISTON
Armature assembly	SP + Valve Part Number -ARMATURE

### OVERALL DIMENSIONS



Model	A	B	C	D	E	F	G	H	Kg
NOSA6	41	19	86	41	40	-	1/8	10.5	0.35
NOSA8	41	19	86	41	40	-	1/4	10.5	0.4
NOSA10	50	25	91	52	45	-	3/8	11.7	0.5
NOSA14	75	52	158	40	65	38	3/8	15	1.65
NOSA15	75	52	158	40	65	38	1/2	15	1.63
NOSA20	85	60	165	40	65	38	3/4	18	2.13
NOSA25	100	70	172	40	65	38	1	23	2.35
NOSA35	120	90	192	40	65	38	1 1/4	33	3.85
NOSA40	120	90	192	40	65	38	1 1/2	33	3.3
NOSA50	150	120	216	40	65	38	2	40.5	7.35



Item	Article	Material
1	Solenoid Tube	Stainless Steel
2	Slide Block	Stainless Steel
3	Coil	Brass Wire
4	Armature Core	Stainless Steel
5	Sliding Block Linkage	Stainless Steel
6	Joint	Stainless Steel
7	Spring	Stainless Steel
8	Seat	Teflon
9	Valve Body	Forged Brass
10	Leakproof & Piston Ring	PTFE
11	Piston	Brass