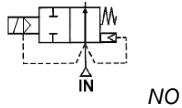


Media: air – water – light oil - steam
 Pressure range: 0.5 to 20 Bar max
 Media temperature: +180°C Max
 Ambient temperature: -20°C to +60°C
 Media viscosity: 50 centistokes max
 Mounting: coil upright



2/2 Steam Flanged

DN25 – DN50
 NORMALLY OPEN
 2 WAY SERVO ASSISTED
 0.5 – 20 Bar
 TYPE NOSAF



PRESSURE

Ø Port PN16	Ø Orifice (mm)	Flow Kv Ltr/ min	Pressure Rating (Bar) ΔP			Part Number
			Min	Max Steam	Max Air/ Water	
DN25	25	220	0.5	12	20	NOSA25PF + voltage
DN32	35	433	0.5	12	20	NOSA35PF + voltage
DN40	35	433	0.5	12	20	NOSA40PF + voltage
DN50	50	800	0.5	12	20	NOSA50PF + voltage

OPTIONS

IP68 (EN60529:1991+A1:2000) UL + CSA approved coil & IP67 LED connector DIN 43650A
 WPA3C IP54 lead wire (100% Rated N rated coil with 30cm flying leads 33.6 Watts 57VA) 200°C Media
 ANSI150Lb, JIS10K or other flanges
 Custom made options available upon request

Included

ELECTRICAL DATA

Voltage (-10% + 10%) Continuous duty 90%	Coil	Power		Insulation class	Enclosure	Electrical connections
		Inrush	Holding			
= 12 – 24 – 48 – 110 DC DIN	WPG2	18.7VA	15.3VA	H 180°C	IP 67 With connector	3 spades DIN 43650 DIN 40050 VDE0110
~ 24 - 110 – 240 - 380 (50 or 60 Hz) DIN		18 Watts				

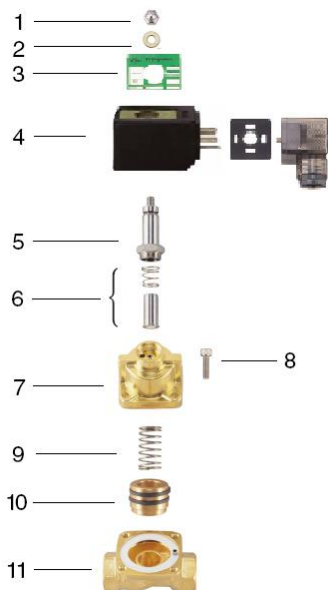
CONSTRUCTION

Body: Brass
 Tube and internal parts: Stainless steel
 Seals and gaskets: PTFE
 Moulded coil: Resin

REPAIR KIT

Coil	WPG2 or WPA3C + voltage
Piston	SP + valve part number + PISTON
Armature assembly	SP + valve part number + ARMATURE

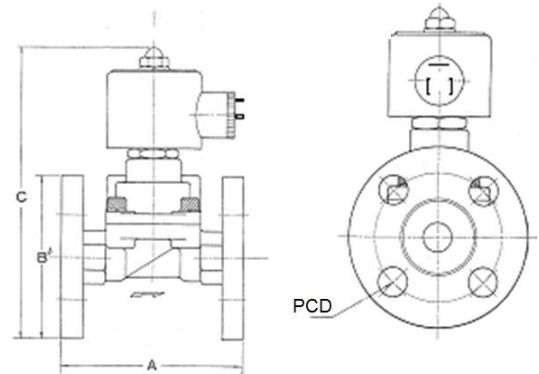
OVERALL DIMENSIONS



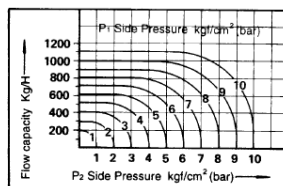
Item	Part No	Description
1	SP-201-*	Nut
2	SP-202-*	Washer
3	SP-203-*	Name Plate
4	SP-204-*	Coil
5	SP-205-*	Solenoid Tube
6	SP-206-*	Armature Core
7	SP-207-*	Valve Bonnet
8	SP-208-*	Screw
9	SP-209-*	Spring
10	SP-210-*	Piston
11	SP-211-*	Valve Body

* = valve part number

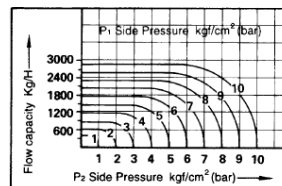
Model	A	B	C	PCD	Kg
NOSA25PF	130	115	188	85	1.8
NOSA35PF	160	140	205	100	3.3
NOSA40PF	160	150	205	110	3.25
NOSA50PF	200	165	240	125	6.8



● Fluid: Steam SA-25(AF)



● Fluid: Steam SA-35.40(AF)



● Fluid: Steam SA-50(AF)

