

### Features

1. Direct acting and quick response.
2. Suitable for acid & alkali chemical fluid.
3. Fluid must be liquid.
4. Horizontal installation.
5. Anti-backflow
6. Can be used with PU320.



### How to order

<b>PEC22</b>	<b>03</b>	<b>N</b>
Teflon Direct acting Pneumatic control	Port size 03 :3/8" 04 :1/2" 06 :3/4" 08 :1"	Thread Blank :G N :NPT R :Rc

### How to order Repair kit

#### ZGPEC22 - 03

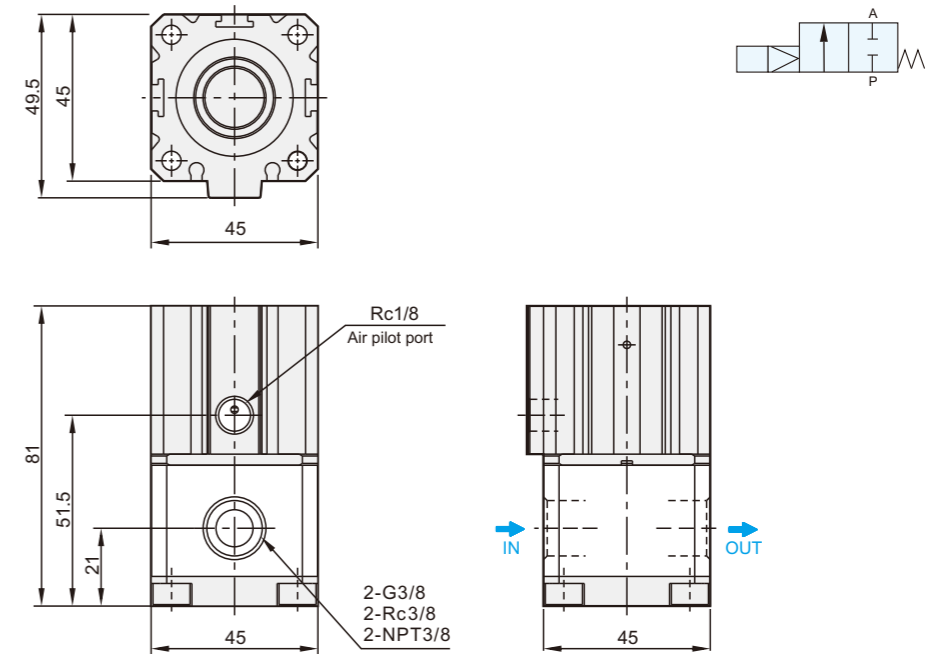
Repair kit	Port size	Description	Qty.
	03 :3/8", 1/2"	Gasket	1
	06 :3/4", 1"	Diaphragm	1

### Specifications

Model	PEC22-03	PEC22-04	PEC22-06	PEC22-08
Port size	3/8"	1/2"	3/4"	1"
Fluid	Pure water, Acid & Alkali chemical liquid			
Orifice	8mm		12mm	
Acting	Direct acting			
Acting style	Normally closed			
Diaphragm	NBR coated with PTFE in bottom			
Fluid pressure range	-98pa ~ 5.0 kgf/cm <sup>2</sup>			
Cylinder operating pressure range	1.5 ~ 9.0 kgf/cm <sup>2</sup>			
Valve body material	Teflon			
Cylinder port size	1/8		1/4	
Max. secondary pressure	3.0 kgf/cm <sup>2</sup>			
Ambient temperature	-10°C ~ 60°C			
Installation	Horizontal			
Cylinder body material	Aluminum alloy			
Net weight	491g		1320g	

### Dimensions

#### PEC220-03,04



#### PEC220-06,08

