

Features

1. For drinking water.
2. Quick response.
3. Ex-proof coil T4 as optional accessory, please refer to page 5-9.
4. Timer for setting on/off time as optional accessory.
5. CE conformity.
6. Coil nut is available, please refer to page 5-3.
7. WRAS certified number: 1704353



How to order

PU220D	—	O3	N	—	S1	L	E
Brass Assisted lift (For drinking Water)	Port size	Thread	Voltage	Led	Ex-Proof coil		
	03: 3/8" 04: 1/2" 06: 3/4" 08: 1"	Blank: G N: NPT R: Rc	S1: 110VAC S2: 220VAC S6: 24VAC S7: 12VDC S9: 24VDC	Blank: W/O LED L: W/I LED	Blank: Standard E: EX-proof coil		

How to order Repair kit

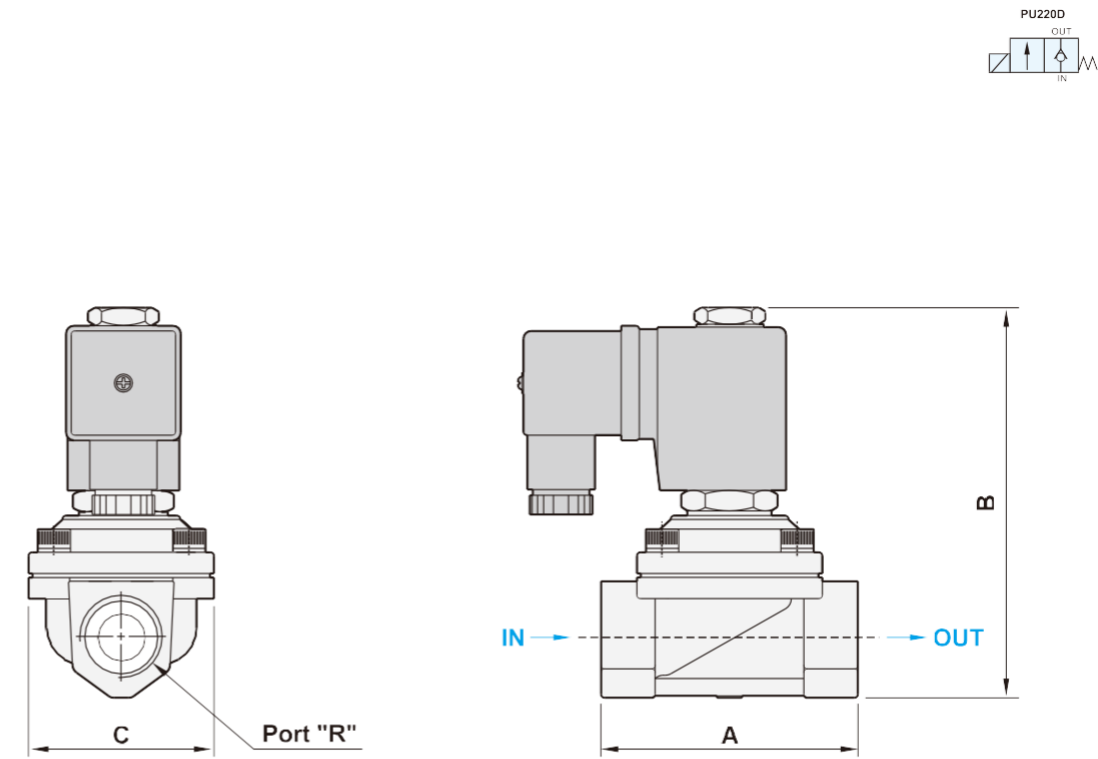
ZGPU220D	—	O3EW		
Repair kit	Port size	Description	Qty.	
	03EW: 3/8", 1/2" 06EW: 3/4" 08EW: 1"	Diaphragm set	1	
		Spring	1	

Specifications

Model	PU220D-03	PU220D-04	PU220D-06	PU220D-08
Port size	3/8"	1/2"	3/4"	1"
Fluid	Compressed air / Water			
Orifice	Ø13mm	Ø13mm	Ø20mm	Ø25mm
Effective area	76mm ²	76mm ²	162mm ²	220mm ²
Acting	Assisted lift			
Construction	Diaphragm			
Operating pressure range AC	0 ~ 7 kgf/cm ²			
Operating pressure range DC	0 ~ 6 kgf/cm ²		0 ~ 5 kgf/cm ²	
Proof pressure	10 kgf/cm ²			
Body material / Seal material	Forged Brass / EPDM (WRAS certified)			
Fluid temperature	4°C ~ 90°C			
Ambient temperature	4°C ~ 60°C			
Installation	Horizontal			
Duty cycle	100% ED			
Coil type	DIN			
Protection class	IP65 (DIN 40 050)			
Insulation class	F			
Voltage tolerance	±10%			
Standard voltage	220VAC, 110VAC, 24VDC, the other voltage is optional			
Power consumption	AC110V: 17.6VA, AC220V: 18.1VA, DC: 15W			
Net weight	530g	500g	680g	1150g

Dimensions

PU220D Standard type



Model	PU220D-03	PU220D-04	PU220D-06	PU220D-08
R	3/8"	1/2"	3/4"	1"
A	66.5	66.5	71	96
B	101	101	107	120.5
C	48	48	58	70