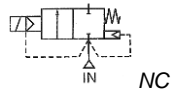


Media: air – water – gas – light oil  
 Pressure range: 1 to 25 Bar max  
 Media temperature: -40°C to +180°C max  
 Ambient temperature: -20° to +60°C  
 Media viscosity: 50 centistokes max  
 Mounting: coil upright  
 Opening / Closing time: 50 mSec Max



# 2/2 Brass

## 3/8 - 1

### NORMALLY CLOSED

### 2 WAY SERVO ASSISTED

### 1 – 25 Bar

## TYPE PU225H®



#### PRESSURE

Ø Port BSP	Ø Orifice (mm)	Flow Kv Ltr/ min	Pressure Rating (Bar) ΔP		Max Media Temp. °C	Seals	Part Number
			Min	Max			
3/8	8	28.6	0.5	25	NBR -15°C to +80°C	NBR	PU225HB03 + voltage
						EPDM	PU225HE03 + voltage
						FKM	PU225HV03 + voltage
1/2	8	28.6	0.5	25	VITON -10°C to +180°C	NBR	PU225HB04A + voltage
						EPDM	PU225HE04A + voltage
						FKM	PU225HV04A + voltage
3/4	13	64.5	0.5	25	EPDM -5°C to +130°C	NBR	PU225HB06A + voltage
						EPDM	PU225HE06A + voltage
						FKM	PU225HV06A + voltage
1	13	64.5	0.5	25	HNBR -40°C to +150°C	NBR	PU225HB08A + voltage
						EPDM	PU225HE08A + voltage
						FKM	PU225HV08A + voltage

#### OPTIONS

IP65 Coil & Connector PG9 DIN 43650 AI ATEX 22003EX Coil: ATEX EExmII T4 II 2G & 2D IP65 T130°C NPT Thread Flange, HNBR seals, degreased	Included
---	----------

#### ELECTRICAL DATA

Voltage (-10% + 10%) Continuous duty 100%		Coil	Power Consumption		Insulation class	Enclosure	Electrical connections
~	=		Inrush	Holding			
~	12-24-48-110-220-240-380 (50/60 Hz)	22003	23VA	17VA	H 180°C	IP 65 with connector	3 spades DIN 43650A DIN 40050 VDE 0110
=	12-24-48-110-220 (DC)		15 Watts				

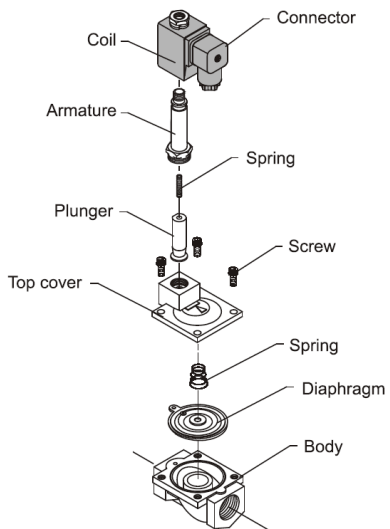
#### CONSTRUCTION

Body: Forged Brass SS41 (Test Pressure 30 Bar)  
 Tube and Internal Parts: Stainless steel  
 Diaphragm: Nylon reinforced NBR, EPDM or FKM

#### REPAIR KIT

Seal Kit	ZGPU225H + size code (03-08) + seal material
Coil	22003 + voltage

#### OVERALL DIMENSIONS



Model	PU225H03	PU225H04	PU225H06	PU225H08
Port	3/8	1/2	3/4	1
A	66.5	66.5	96.0	96.0
B	106.5	106.5	126.5	126.5
C	48	48	70	70
Kg	0.775	0.755	1.55	1.5

