

Media: Air – Water – Gas- Fluid
 Back pressure range: 0.3 to 1.5 Bar
 Media temperature: -15°C to +60°C max
 Ambient temperature: +60°C max
 Media viscosity: 40 centistokes max
 Mounting: Gauge upright, stem down

Pressure Sustaining Valve

1/2 – 2" or DN15 – DN50
 316 STAINLESS STEEL
 DIRECT ACTING
 0.3 – 1.5 Bar
 TYPE RFLT + RFLF



PRESSURE

Ø Port BSPT	Flow L/min	Max Inlet Bar	Adjustable Pressure Sustaining Range (Bar)		Part Number	List Price	
			Minimum	Maximum		Seals NBR +60°C Max	Seals FKM +100°C Max
1/2	34.32	5	0.2	1.5	RFLT15S + seal material		
3/4	128.7	5	0.2	1.5	RFLT20S + seal material		
1	157.3	5	0.2	1.5	RFLT25S + seal material		
1 1/2	300.3	5	0.2	1.5	RFLT40S + seal material		
2	357.5	5	0.2	1.5	RFLT50S + seal material		
Port PN16 Flange							
DN15	34.32	5	0.2	1.5	RFLF15S + seal material		
DN20	128.7	5	0.2	1.5	RFLF20S + seal material		
DN25	157.3	5	0.2	1.5	RFLF25S + seal material		
DN40	300.3	5	0.2	1.5	RFLF40S + seal material		
DN50	357.5	5	0.2	1.5	RFLF50S + seal material		

OPTIONS

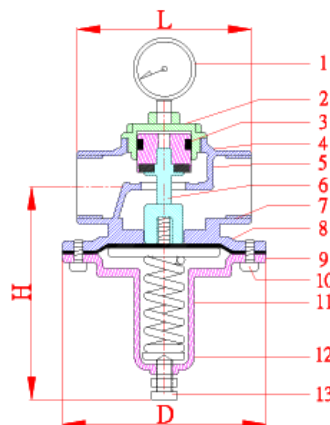
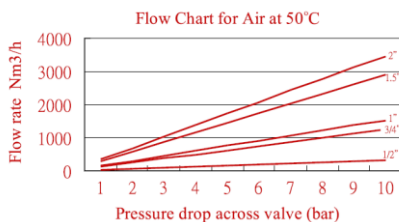
Pressure Gauge (316 Stainless steel) displays back sustained pressure.
 Other flange ANSI150Lb, JIS10K, JIS20K and NPT or BSPP (G) thread options
 Duplex 316 stainless steel
 Other custom-made seal and pressure options available upon request

Included
+10%
+30%

CONSTRUCTION

Body, Piston & shaft: 316 stainless steel
 Seals: NBR or FKM
 Spring: steel
 Fixing bolts and adjusting stem: 304 stainless steel
 Test Pressure: 16 Bar

OVERALL DIMENSIONS



Part No:	Port	H mm	L mm	Kg
RFLT15	1/2	110	70	1.3
RFLT20	3/4	125	85	1.5
RFLT25	1	125	90	1.6
RFLT40	1 1/2	155	115	3
RFLT50	2	155	120	4
RFLF15	DN15 PN16	110	150	2.5
RFLF20	DN20 PN16	125	150	3.5
RFLF25	DN25 PN16	125	150	5.6
RFLF40	DN40 PN16	155	190	8.7
RFLF50	DN50 PN16	155	190	13.5

NO	Part Name	Material	No	Part Name	Material
1	Gauge	Stainless Steel	8	Diaphragm	EPDM or Viton
2	Upper cover	Stainless Steel 316	9	Lower cover	Stainless Steel 316
3	U-Ring	NBR or Viton	10	Fixed bolt	Stainless Steel 304
4	Piston	Stainless Steel 316	11	Spring	Spring steel
5	Sealing spacer	NBR or Viton	12	Washer	Brass
6	Shaft	Stainless Steel 316	13	Adjusting stem	Stainless Steel 304
7	Main body	Stainless Steel 316			