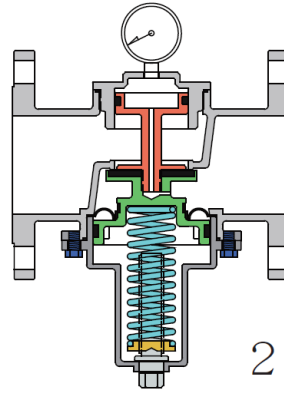


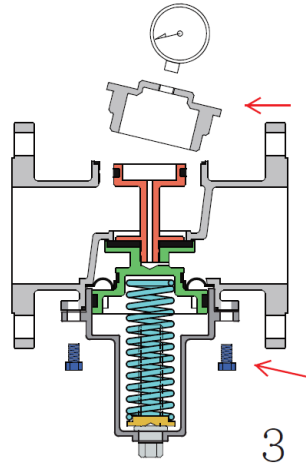
1



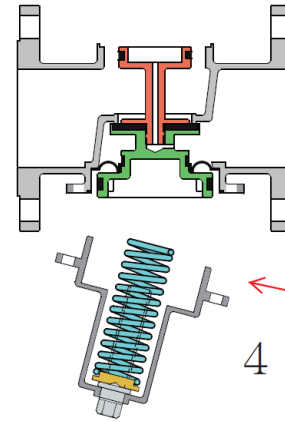
2

Maintenance of Direct Acting Pressure Control Valve.

Step 1: Loosen pressure adjustment screw at valve base until spring and adjuster are loose.
 Step 2: Check Spring and adjustment screw are loose.

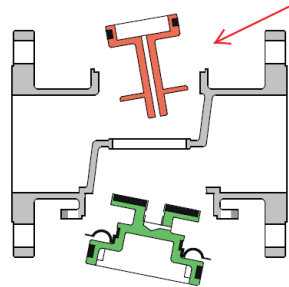


3

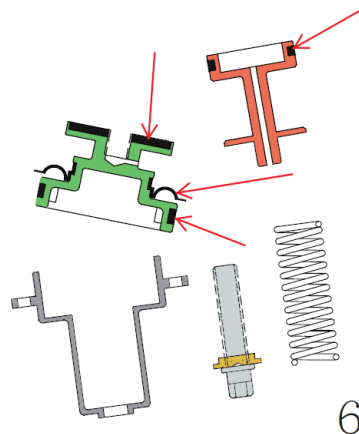


4

Step 3: Remove pressure gauge and remove top valve cover. Remove bolts from valve base cover.
 Step 4: Remove valve base cover.



5



6

Step 5: Using the appropriate tools disassemble the guide rod and valve gate.
 Step 6: Replace seals as indicated by arrows.

Reassemble valve in reverse steps 6 through to 1. After installation retighten adjustment screw to correct pressure setting as displayed by pressure gauge.