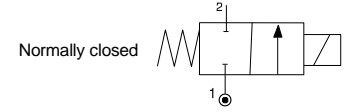


S1

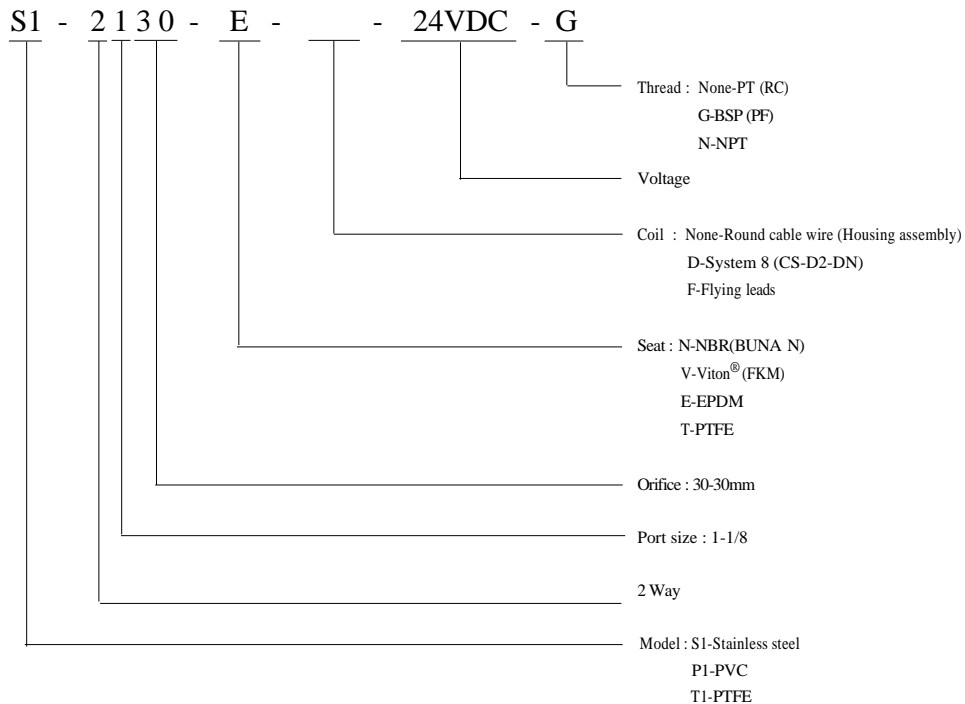
2/2-way solenoid valve of stainless steel/ PVC/PTFE body for general application

Isolate Type



Model	Port size	Orifice (mm)	CV value	Fluid temp. (°C)	Seat disc	Differential pressure kg/cm ² (bar)			Wt. (kg)
						Liquid	Air	Slight acid & alkali	
S1-2130	1/8 "	3	0.26	-10	NBR Silicone	0-1	0-1	0-1	0.16
P1-2130	1/8 "	3	0.26	∫	EPDM Viton®	0-1	0-1	0-1	0.12
T1-2130	1/8 "	3	0.26	60	PTFE	0-1	0-1	0-1	0.12

How to order



Notes:

1. The valves are ideally suited to allocate at any angle.
2. Voltage drop range is within $\pm 10\%$.
3. Stainless steel and PTFE body max. temperature are up to 120°C.
4. PTFE seat is custom-made.
5. AC voltage is custom-made.

Inapplicable Fluids:

1. Fluids that have kinematic viscosity over 50 CST.
2. Fluids that will turn to liquid after being heated and become solid after being cooled.

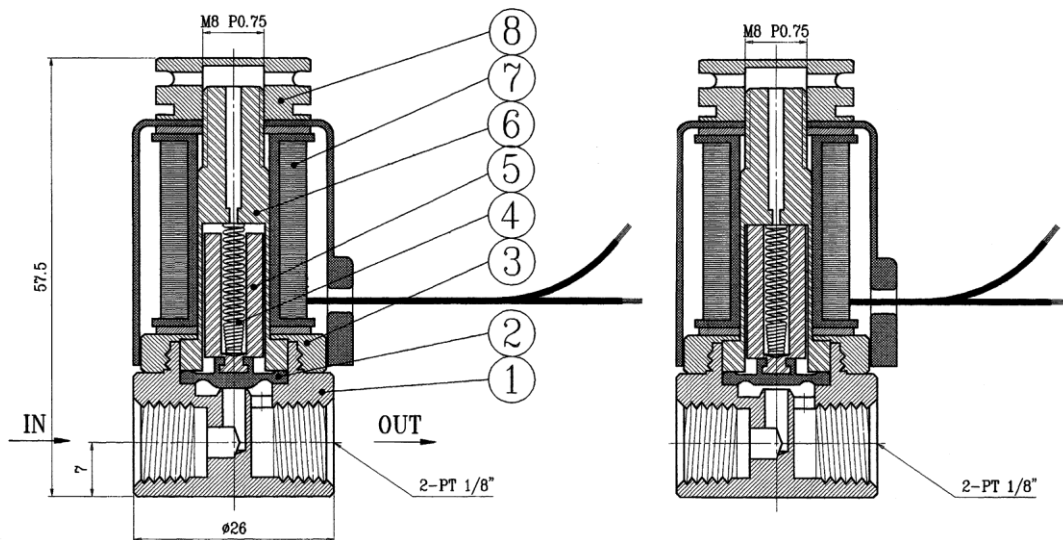


S 1

2/2-way solenoid valve of stainless steel/ PVC/PTFE body for general application



● Operation Chart



● Material Table

Item	Article	Material
1	Valve Body	Stainless Steel/PVC/PTFE
2	Diaphragm	NBR, Silicone, EPDM, Viton®
3	Valve Bonnet	Stainless Steel
4	Spring	Stainless Steel
5	Armature Core	Stainless Steel
6	Solenoid Tube	Stainless Steel
7	Coil	Brass Wire
8	Nut	Plastic

