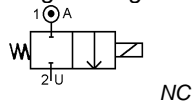


Media: Gas – Liquid- Slight Aggressive
 Pressure range: 0 to 1 Bar max
 Media temperature: -5°C to +60°C max
 Ambient temperature: -10°C to +40°C max
 Media viscosity: 50 centistokes max
 Mounting: any position
 Weight: 160g



2/2 Stainless

1/8 DRY- ARMATURE

NORMALLY CLOSED

2 WAY DIRECT ACTING

0 – 1 Bar

TYPE S1230



PRESSURE

Ø Port BSP	Ø Orifice (mm)	Flow Kv Ltr/min	Pressure Rating (bar) ΔP		Seals	Part Number
			Min	Max		
1/8	3.0	4.3	0	1	NBR	S1230-NBR + voltage
	3.0	4.3	0	1	Silicone	S1230-SILICONE + voltage
	3.0	4.3	0	1	EPDM	S1230-EPDM + voltage
	3.0	4.3	0	1	FKM	S1230-FKM + voltage

OPTIONS

IP65 Coil & LED Connector PG9 – DIN 43650 B (Option for 30cm flying lead wire coil)
 AC voltage custom made
 PVC or PTFE body custom made

ELECTRICAL DATA

Voltage (-10% + 15%) Continuous duty 100%	Coil	Power Consumption		Insulation class	Enclosure	Electrical connections
		Inrush	Holding			
~	22001	11.6VA	8.5VA	F 155°C	IP 65 with connector	3 spades DIN 43650 DIN 40050 VDE 0110
= 12 - 24 – 48 (DC)		4.5 Watts				

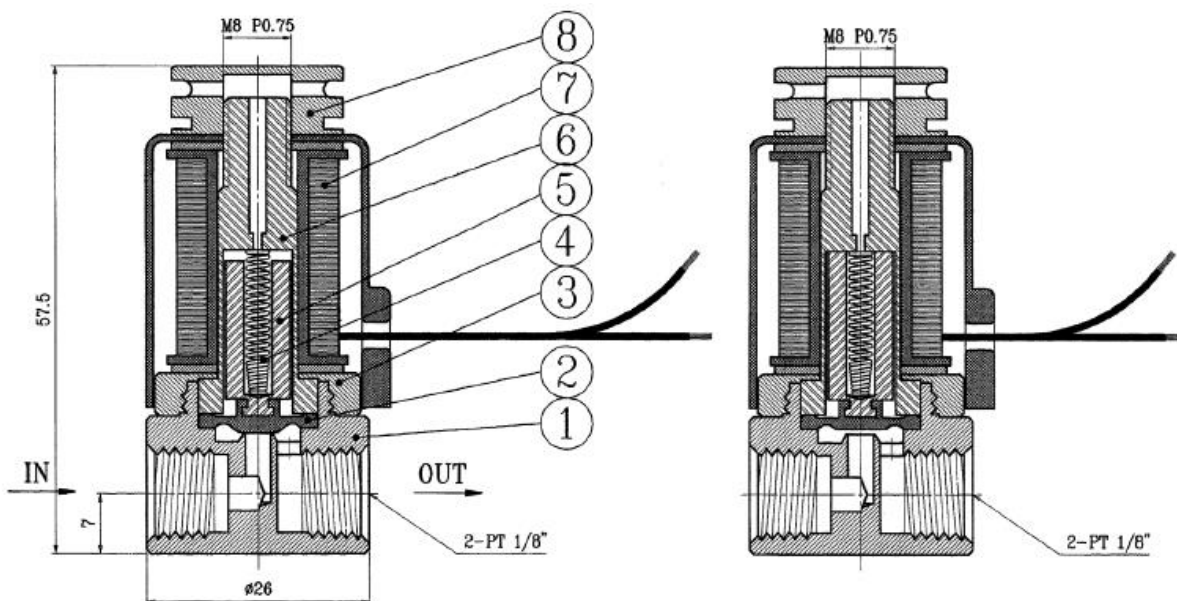
CONSTRUCTION

Body: stainless steel
 Seals and gaskets: NBR, Silicone, EPDM, FKM. (PTFE custom made)
 Moulded coil: Resin
 Not suitable for Vacuum

REPAIR KIT

Coil	22001 + voltage
Core tube & armature assembly	SP + Valve Part Number -ARMATURE

OVERALL DIMENSIONS



Item	Description	Material
1	Valve Body	Stainless steel
2	Diaphragm	NBR, Silicone, EPDM
3	Valve Bonnet	Stainless Steel
4	Spring	Stainless Steel
5	Armature Core	Stainless Steel
6	Solenoid Tube	Stainless Steel
7	Nut	Plastic