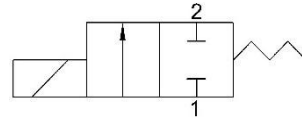




# 2/2 Way Direct Acting N.C. Plunger Series

OPENING: 15~30ms

CLOSING: 30~60ms



Coil Ambient Temp. -15~50°C (No Freezing)

Consumption	#4	#5	#3E
AC(VA)	18.0	24.0	8.6
Final Temp.	88.0	93.0	63.0
DC(W)	15.0	18.5	10.0
Final Temp.	103.0	109.0	82.0

Fluid Temp. °C

	#4	#3E	#5
N:NBR	-5~80		
J:EPDM	-10~145		
R:RUBY	-20~160	-20~185	
T:PTFE	-20~160	-20~185	
V:FKM	-10~145		
Z:FFKM	-20~160	-20~185	

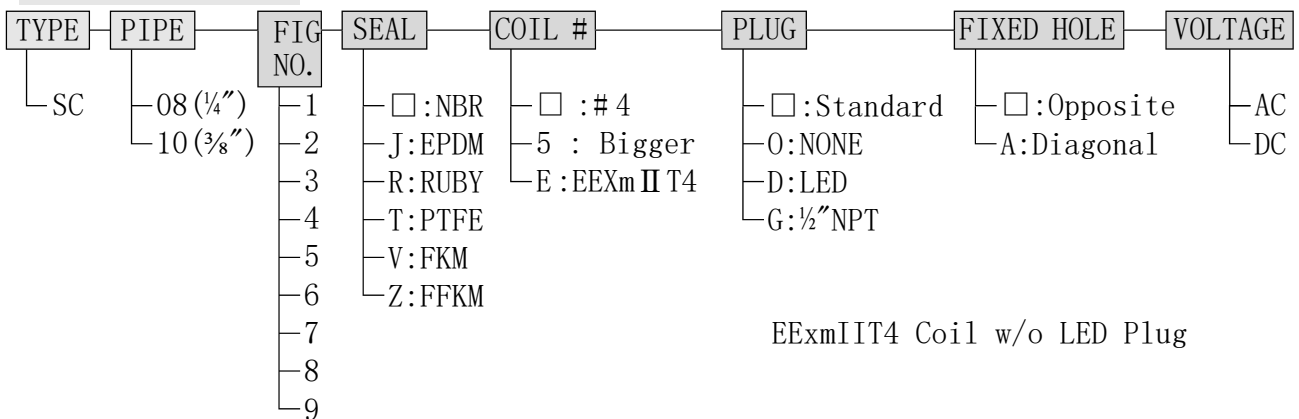
SPECIFICATIONS: SUS303 Body, For Water, Air, Gas, Light Oil(50cst down)、Vacuum etc.

CODE (PIPE)	FIG. NO.	Orifice mm	SEAL	COIL	WORKING PRESSURE 0~ bar						Cv	Torr
					#4		#5		#3E			
					AC	DC	AC	DC	AC	DC		
08 (1/4") 、 10 (3/8")	1	1.6	N	#4	30	20	40	30	25	20	0.10	10 <sup>-2</sup>
	2	2.0	、 J		24	14	30	28	16	12	0.15	
	3	2.5	、 R		17	10	24	20	10	8	0.20	
	4	3.0	、 T	#5	10	6	16	13	7	6	0.31	10 <sup>-1</sup>
	5	4.0	、 V	8	4	12	8	4.5	3.5	0.54		
	6	5.0	、 Z	#3E	6	2	9	5	2.5	2	0.80	
	7	5.5	、	4	2	7	4	2	2	0.95	10	
	8	7.5	、	2	0.8	3	2	1	1	1.10		
	9	10	、	0.8	0.4	1.6	0.8	0.4	0.4	1.30		

☆PTFE and Ruby seal have below 300cc/min. slight leakage, not suitable for vacuum.

☆Max. Orifice: J-5mm/ R-2.5mm/ T-4.0 mm/ Z-5.0 mm.

TYPE INDICATION: (□ means standard)



※Above specification are tested with Nass coil AC220V/50HZ and DC24V.  
We reserves the right to change the specification without prior notice.

## EXAMPLES

Example 1 SC08-9-DC24V

Type SC, 1/4" Pipe, Orifice 10.0 mm, NBR Seal, #4 Coil, Standard Plug, DC24V

Example 2 SC10-4-V-5-D-AC220V

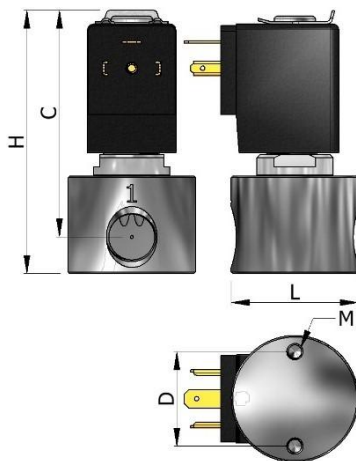
Type SC, 3/8" Pipe, Orifice 3.0 mm, FKM Seal, #5 Coil, LED Plug, AC220V

## DIMENSIONS

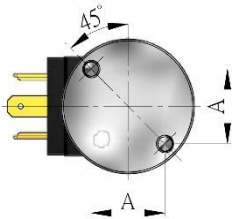
CODE (PIPE)	SIZE: mm						N. W. : kg		
	L	H	C	D	M	A	#4	#5	#3E
08 (1/4")	40	86	75	31	M5	22	0.50	0.58	0.79
10 (3/8")	42	87				24	0.52	0.60	0.81

### DIMENSIONS DIAGRAM:

#### Opposite Hole



#### Diagonal Hole



### OPTION ACCESSORY: Bracket (For Opposite Fixed Hole only)

