

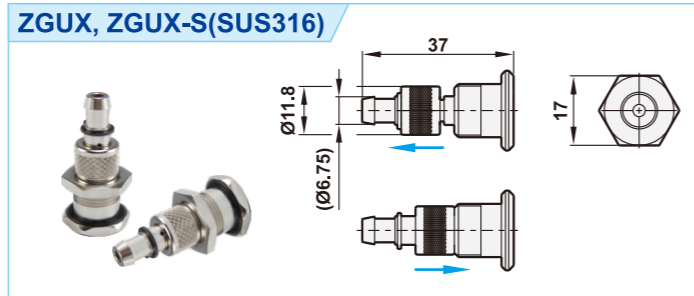
Pressure gauge

Part no.	Application	Dimension
KUX0000020	Miniature FRL series	1/8", Ø42mm
KUX0000030	U series, UC series	1/4", Ø53mm
KUX0000046	USFR Stainless steel FRL series	2"x20kgx1/4" SUS304
KUX0000053	USFR Stainless steel FRL series	2"x30kgx1/4" SUS304
KUX0000050	SSFR Miniature stainless steel FRL series	1/8", Ø42mm SUS304
KUX0001010	Miniature C series, UC FRL series	1", 0~10bar, 27mm
KUX0002010	URPL2 Precision Regulator	1.5", 0~0.2Mpa, 1/8" PT
KUX0002011	URPL4 Precision Regulator	1.5", 0~0.4Mpa, 1/8" PT
KUX0002012	URP Precision Regulator	1.5", 0~1Mpa, 1/8" PT

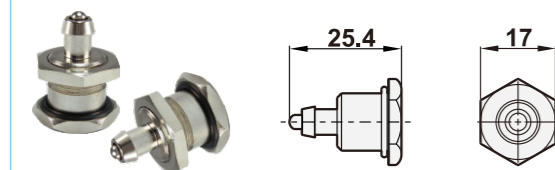


Semi-auto/Manual drain

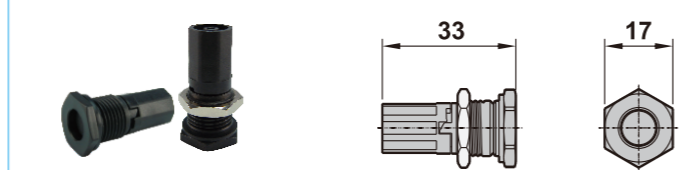
Part no.	Type	Port size
ZGUX	Manual	6mm (PU tube)
ZGUX-S	Manual	
ZGUX-1	Semi-auto	
ZGUX-2	Semi-auto	
ZGUX-3	Semi-auto	



ZGUX-1, ZGUX-3(SUS316)



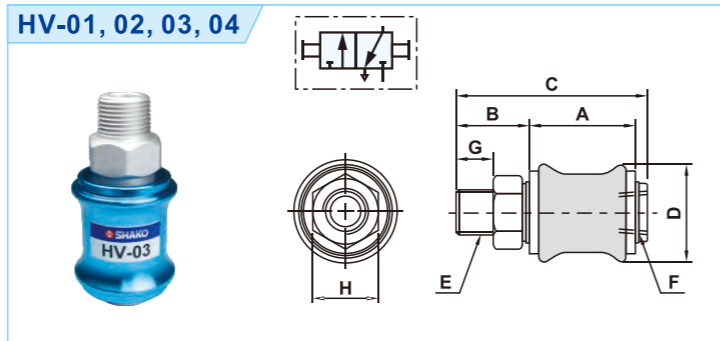
ZGUX-2



Sleeve valve

How to order

HV	—	02	N
Sleeve valve	Port size	Thread	
	01: 1/8"	Blank: G	
	02: 1/4"	N : NPT	
	03: 3/8"	R : PT	
	04: 1/2"		



*Apply to standard FRL series 1/8", 1/4", 3/8", 1/2"

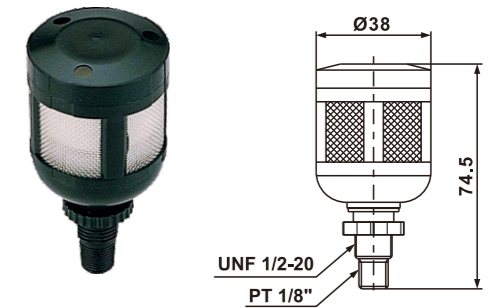
Part no.	Dimension	A	B	C	D	E	F	G	H
HV-01		30	17	50	Ø24.5	1/8"	1/8"	8	14
HV-02		32.5	22	58	Ø29.5	1/4"	1/4"	11	19
HV-03		39	26	68.5	Ø34.5	3/8"	3/8"	13.5	22
HV-04		50	32	85.5	Ø44.5	1/2"	1/2"	16.5	30

Automatic drain

Features

1. Completely drain water together with polluted particles and oils at once without remnants on filter bowl.
2. Automatically remove remaining water on filter bowl after air pressure is shut off.
3. Working pressure: 0.5~9.9kgf/cm².
Proof pressure: 15kgf/cm².
Ambient temperature: -5~+60 (No freezing).

Part no.	Thread	Color
D0014W	14mm (Male thread)	Black

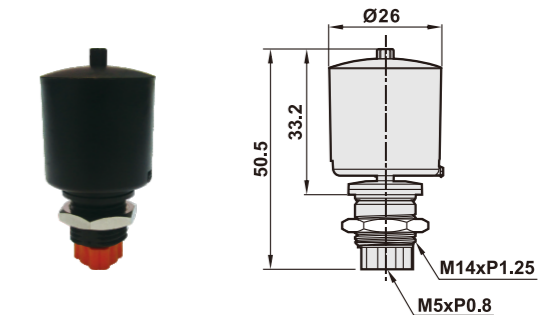


Miniature automatic drain

Features

1. Working pressure: 0.8 ~ 10 kgf/cm².
 2. Leverage design and electrical power free, shorter and smaller than competitors' products.
 3. Discharge capacity: 3~5cc/time.
- *Suitable for: For Miniature A series, Miniature C series.

Part no.	Thread	Color
AD-01	M5xP0.8	Black+Orange



Connecting seat

Part no.	Application	Content
ZGFR-500A-03	A series miniature FRL	Seat with O-ring

*Remark: To install AD-01 miniature automatic drain on A series miniature FRL, the connecting seat is necessary to be installed between the filter bowl and the filter body.



Spacer block

Part no.	Application	Content
ZGUFR02SB	UFR/L-02, 03, 04	Block, O-ring, Screw, Washer, Plug
ZGUFR06SB	UFR/L-06, 08	Block, O-ring, Screw, Washer, Plug
ZGUCFR03SB	UCFR series	Spacer Block, O-ring, Screw, Plug



Closed block

Part no.	Application	Content
ZGUCFR03CB	UCFRL-02, 03, 04	Closed block, O-ring, Screw



Filter bowl

Part no.	Application	Content
ZGUF-02B	UC / U series (1/4", 3/8", 1/2")	Bowl with O-ring
ZGUF-06B	U series (3/4", 1")	
ZGUF-02BA (Anti-acid & Alkali bowl)	UC / U series (1/4", 3/8", 1/2")	
ZGUF-06BA (Anti-acid & Alkali bowl)	U series (3/4", 1")	
ZGUF-02BAL (Aluminum bowl)	U series (1/4", 3/8", 1/2")	
ZGUF-06BAL (Aluminum bowl)	U series (3/4", 1")	
ZGUCF-02GRAL (Aluminum bowl)	UC series (1/4", 3/8", 1/2")	
ZGF200B	Miniature A series	
ZGF200BA (Anti-acid & Alkali bowl)	Miniature A series	
ZGF200BB	Miniature C series	
ZGUSF-04B	US Stainless steel series (1/4", 3/8", 1/2")	
ZGUSF-06B	US Stainless steel series (3/4", 1")	
ZGSSF-02B	SS Stainless steel miniature series	



Lubricator bowl

Part no.	Application	Content
ZGUL-02B	UC / U series (1/4", 3/8", 1/2")	Bowl with O-ring
ZGUL-06B	U series (3/4", 1")	
ZGUL-02BA (Anti-acid & Alkali bowl)	UC / U series (1/4", 3/8", 1/2")	
ZGUL-06BA (Anti-acid & Alkali bowl)	U series (3/4", 1")	
ZGUL-02BAL (Aluminum bowl)	U series (1/4", 3/8", 1/2")	
ZGUL-06BAL (Aluminum bowl)	U series (3/4", 1")	
ZGUCL-02GRAL (Aluminum bowl)	UC series (1/4", 3/8", 1/2")	
ZGL200B	Miniature A series	
ZGL200BA (Anti-acid & Alkali bowl)	Miniature A series	
ZGL200BB	Miniature C series	
ZGUSL-04B	US Stainless steel series (1/4", 3/8", 1/2")	
ZGUSL-06B	US Stainless steel series (3/4", 1")	
ZGUSL-02B	SS Stainless steel miniature series	



Filter element (Sintered brass)

Part no.	Application
KUS0032041 (40µm)	Miniature A series
KUS0032042 (5µm)	Miniature A series
KUN0010035 (40µm)	UC / U series (1/4", 3/8", 1/2")
KUN0010036 (5µm)	UC / U series (1/4", 3/8", 1/2")
KUB0008060 (40µm)	U series (3/4", 1")
KUB0008061 (5µm)	U series (3/4", 1")



Filter element (PE)

Part no.	Application
NUS0032041 (40µm)	Miniature A series
NUS0032042 (5µm)	Miniature A series
NUN0010035 (40µm)	UC / U series (1/4", 3/8", 1/2")
NUN0010036 (5µm)	UC / U series (1/4", 3/8", 1/2")
NUB0008064 (40µm)	U series (3/4", 1")
NUB0008063 (5µm)	U series (3/4", 1")



Filter element (SUS316)

Part no.	Application
NUN500151 (40µm)	US Stainless steel series (1/4", 3/8", 1/2")
KNU5000150 (5µm)	US Stainless steel series (1/4", 3/8", 1/2")
KUN6000100 (40µm)	US Stainless steel series (3/4", 1")
KUN6000101 (5µm)	US Stainless steel series (3/4", 1")
KUS0200091 (40µm)	SS Stainless steel miniature series
KUS0200090 (5µm)	SS Stainless steel miniature series



Glass fiber / Activated charcoal filter element

Part no.	Application	Content
ZH04H (0.01µm)	UCMF, UMF (1/4", 3/8", 1/2")	Glass fiber (Red)
ZH08H (0.01µm)	UMF (3/4", 1")	
ZH04H2 (0.1µm)	UCMF, UMF (1/4", 3/8", 1/2")	
ZH08H2 (0.1µm)	UMF (3/4", 1")	
ZH04HCA (0.01µm)	UCMF, UMF (1/4", 3/8", 1/2")	Activated charcoal (Green)
ZH08HCA (0.01µm)	UMF (3/4", 1")	



