

Features

1. Pilot acting for low starting pressure.
2. Large flow rate and high working pressure.
3. Quick response.
4. Stainless steel body and stem provide exceptional durability.
5. Flange type is available for JIS 10K, ANSI 150LB and PN16.
6. Ex-proof coil T4 as optional accessory, please refer to page 5-9.
7. Timer for setting on/off time as optional accessory.
8. CE and EX-proof certified for all series.
9. Coil nut is available, please refer to page 5-3.



How to order

| SPU225A N | E | F | - | 03 | N | - | S1 | L | E |
|------------------------------|---|---|----------------------------------|--|-------------------------------|---|------------------------------|-------------------------------------|---|
| Stainless steel Pilot acting | Acting style | Diaphragm | Flange type | Port size | Thread | Voltage | Led | Ex-Proof coil | |
| | Blank: Normally closed N : Normally open L : Latching Latching 6vDC (3-9v) Latching 12vDC (9-15v) | Blank: VITON N : NBR E : EPDM H : HNBR | F : 10K F3: 150LB F4: PN16 | 03: 3/8" 04: 1/2" 06: 3/4" 08: 1" 12: 1 1/4" 14: 1 1/2" 20: 2" | Blank: G N : NPT R : Rc | S1: 110VAC S2: 220VAC S6: 24VAC S7: 12VDC S9: 24VDC L6: 6v Latch L12: 12v latch | Blank: NO LED L : W/I LED | Blank: Standard E: EX-proof coil | |

Specifications

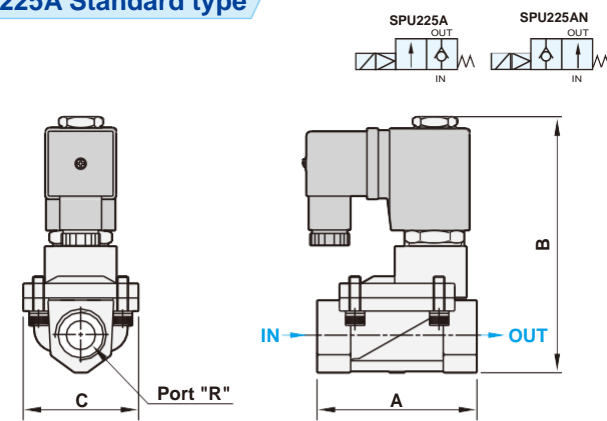
| Model | SPU225A-03 | SPU225A-04 | SPU225A-06 | SPU225A-08 | SPU225A-12 | SPU225A-14 | SPU225A-20 |
|--------------------------|--|------------|--------------------|------------|--------------------|--------------------|--------------------|
| Port size | 3/8" | 1/2" | 3/4" | 1" | 1 1/4" | 1 1/2" | 2" |
| Fluid | Compressed air (light oil, water) | | | | | | |
| Aseries orifice | 13mm | | 25mm | | 38mm | | 50mm |
| Effective area | 88mm ² | | 230mm ² | | 404mm ² | 552mm ² | 883mm ² |
| Acting | Pilot acting | | | | | | |
| Diaphragm | VITON (Standard), NBR, EPDM (Option) | | | | | | |
| Operating pressure range | 0.5 ~ 10 kgf/cm ² | | | | | | |
| Proof pressure | 15 kgf/cm ² | | | | | | |
| Body /Flange material | Stainless steel SUS316 / SUS304, SUS316 | | | | | | |
| Fluid temperature | -10°C ~ 90°C | | | | | | |
| Ambient temperature | -10°C ~ 60°C | | | | | | |
| Installation | Horizontal | | | | | | |
| Duty cycle | 100% ED | | | | | | |
| Coil type | DIN | | | | | | |
| Protection class | IP65 (DIN 40 050) | | | | | | |
| Insulation class | F | | | | | | |
| Voltage tolerance | ±10% | | | | | | |
| Standard voltage | 220VAC, 110VAC, 24VDC, the other voltage is optional | | | | | | |
| Power consumption | Normally closed AC110V:17.6VA, AC220V:18.1VA, DC: 15W; Normally open AC: 17.8VA, DC: 15W | | | | | | |
| Net weight | 775g | | 1550g | | 2820g | | 4665g |

Seal material selection guide

| Seal Temperature range | Suitable fluid | Unsuitable fluid |
|------------------------|--|---|
| NBR -15°C ~ 80°C | Air, Water, Neutral gases, Mineral oil | Fuel oil, Gasoline and Hi-test gasoline, Diesel fuel |
| HNBR -40°C ~ 150°C | Air, Water, Gear oil, Engine oil | Pharmaceutical liquid, Gasoline and Hi-test gasoline, Light oil |
| VITON -10°C ~ 180°C | Fuel oil, Gasoline and Hi-test gasoline, Diesel fuel | Hot water, Steam, Brake oil (ATE Blue) |
| EPDM -5°C ~ 130°C | Hot water, Detergent liquid | Mineral oil, Gasoline |

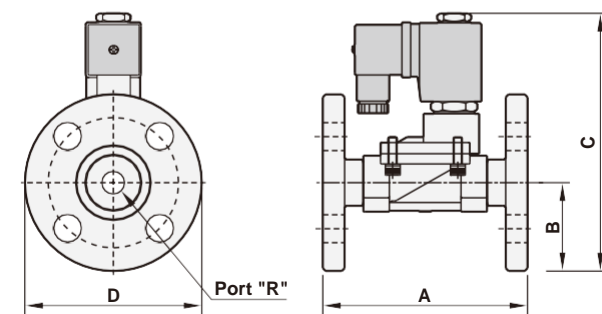
Dimensions

SPU225A Standard type



| Model | SPU225A-03 | SPU225A-04 | SPU225A-06 | SPU225A-08 | SPU225A-12 | SPU225A-14 | SPU225A-20 |
|-------|------------|------------|------------|------------|------------|------------|------------|
| R | 3/8" | 1/2" | 3/4" | 1" | 1 1/4" | 1 1/2" | 2" |
| A | 66.5 | 66.5 | 100 | 100 | 131.5 | 131.5 | 160 |
| B | 106.5 | 106.5 | 126.5 | 126.5 | 145.5 | 145.5 | 160.5 |
| C | 48 | 48 | 70 | 70 | 96 | 96 | 112 |

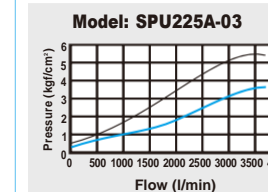
SPU225A Flange type (10K)



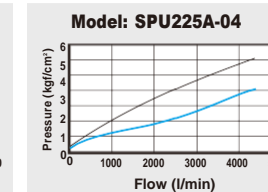
| Model | SPU225AF-03 | SPU225AF-04 | SPU225AF-06 | SPU225AF-08 | SPU225AF-12 | SPU225AF-14 | SPU225AF-20 |
|-------|-------------|-------------|-------------|-------------|-------------|-------------|-------------|
| R | 3/8" | 1/2" | 3/4" | 1" | 1 1/4" | 1 1/2" | 2" |
| A | 110 | 110 | 149 | 150 | 180 | 180 | 210 |
| B | 45 | 47.5 | 50 | 62.5 | 67.5 | 70 | 77.5 |
| C | 137 | 139.5 | 152.5 | 164 | 173 | 182.5 | 210 |
| D | 90 | 95 | 100 | 125 | 135 | 140 | 155 |

Flow chart

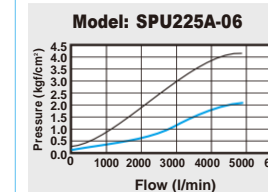
3/8" Pilot acting



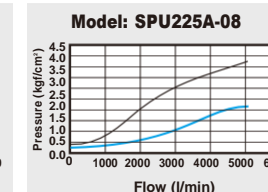
1/2" Pilot acting



3/4" Pilot acting



1" Pilot acting



Explosion

