

### Features

1. Pilot acting for low starting pressure.
2. Large flow rate and high working pressure.
3. Quick response.
4. Stainless steel body and non-weld stem provide exceptional durability.
5. Flange JIS 10K, ANSI 150LB and PN16 optional.
6. ATEX coil T4 T130°C Ex mb IIC T4 and Gb Ex mb tb IIC T130°C Db for area 21 and 22 is optional.
7. Degreased for oxygen service is optional.
8. CE and ATEX certified Sira 09ATEX6180X.
9. Copper shading ring, optional Silver for RO water.



### How to order

SPU225A N	E	F	-	03	N	-	S1	L	E
Stainless steel Pilot acting	Acting style	Diaphragm	Flange type	Port size	Thread	Voltage	Led	Ex-Proof coil	
	Blank: Normally closed N : Normally open L : Latching Latching 6vDC (3-9v) Latching 12vDC (9-15v)	Blank: VITON B : NBR E : EPDM H : HNBR	F : 10K F3 : 150LB F4 : PN16	03 : 3/8" 04 : 1/2" 06 : 3/4" 08 : 1" 12 : 1 1/4" 14 : 1 1/2" 20 : 2"	Blank: G N : NPT R : Rc	S1 : 110VAC S2 : 220VAC S6 : 24VAC S7 : 12VDC S9 : 24VDC L6 : 6v Latch L12 : 12v latch	Blank: NO LED L : W/I LED	Blank: Standard E : EX-proof coil	

### Specifications

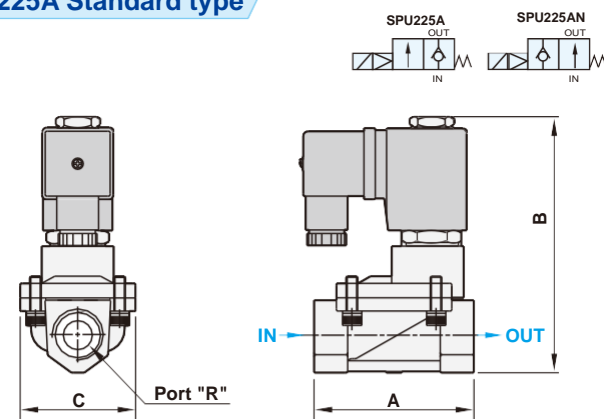
Model	SPU225A-03	SPU225A-04	SPU225A-06	SPU225A-08	SPU225A-12	SPU225A-14	SPU225A-20
Port size	3/8"	1/2"	3/4"	1"	1 1/4"	1 1/2"	2"
Fluid	Compressed air (light oil, water)						
Aseries orifice	13mm		25mm		38mm		50mm
Effective area	88mm <sup>2</sup>		230mm <sup>2</sup>		404mm <sup>2</sup>		883mm <sup>2</sup>
Acting	Pilot acting						
Diaphragm	VITON (Standard), NBR, EPDM, HNBR (Option)						
Operating pressure range	0.5-10 Bar Differential / Max working 15 Bar						
Proof pressure	15 Bar						
Body /Flange material	Stainless steel SUS316 / SUS304, SUS316						
Fluid temperature	-40°C ~ +180°C (according to seal)						
Ambient temperature	-10°C ~ +60°C						
Installation	Horizontal						
Duty cycle	100% ED						
Coil type	DIN						
Protection class	IP65 (DIN 40 050)						
Insulation class	F						
Voltage tolerance	±10%						
Standard voltage	220VAC, 110VAC, 24VDC, the other voltage is optional						
Power consumption	Normally closed AC110V:17.6VA, AC220V:18.1VA, DC: 15W; Normally open AC: 17.8VA, DC: 15W						
Net weight	775g		1550g		2820g		4665g

### Seal material selection guide

Seal	Temperature range	Suitable fluid	Unsuitable fluid
NBR	-15°C ~ 80°C	Air, Water, Neutral gases, Mineral oil	Fuel oil, Gasoline and Hi-test gasoline, Diesel fuel
HNBR	-40°C ~ 150°C	Air, Water, Gear oil, Engine oil	Pharmaceutical liquid, Gasoline and Hi-test gasoline, Light oil
VITON	-10°C ~ 180°C	Fuel oil, Gasoline and Hi-test gasoline, Diesel fuel	Hot water, Steam, Brake oil (ATE Blue)
EPDM	-5°C ~ 130°C	Hot water, Detergent liquid	Mineral oil, Gasoline

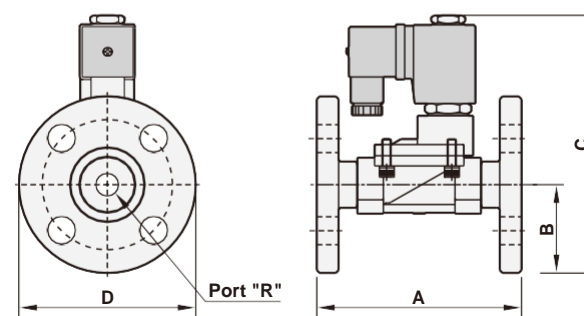
### Dimensions

#### SPU225A Standard type



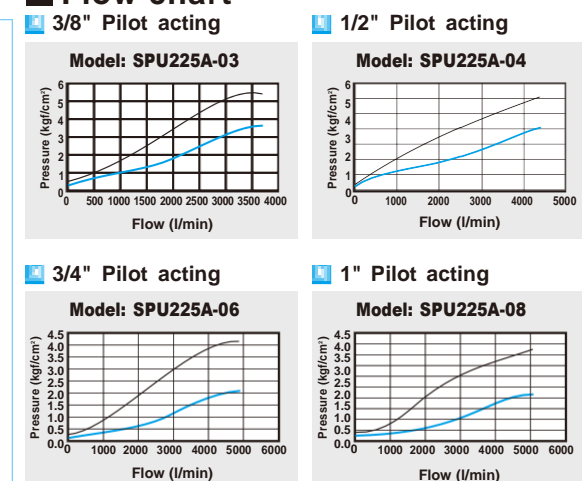
Model	SPU225A-03	SPU225A-04	SPU225A-06	SPU225A-08	SPU225A-12	SPU225A-14	SPU225A-20
R	3/8"	1/2"	3/4"	1"	1 1/4"	1 1/2"	2"
A	66.5	66.5	100	100	131.5	131.5	160
B	106.5	106.5	126.5	126.5	145.5	145.5	160.5
C	48	48	70	70	96	96	112

#### SPU225A Flange type (10K)



Model	SPU225AF-03	SPU225AF-04	SPU225AF-06	SPU225AF-08	SPU225AF-12	SPU225AF-14	SPU225AF-20
R	3/8"	1/2"	3/4"	1"	1 1/4"	1 1/2"	2"
A	110	110	149	150	180	180	210
B	45	47.5	50	62.5	67.5	70	77.5
C	137	139.5	152.5	164	173	182.5	210
D	90	95	100	125	135	140	155

### Flow chart



### Explosion

