

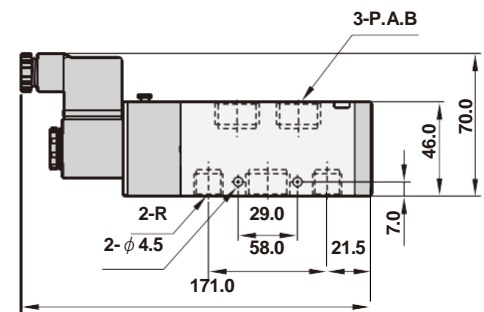
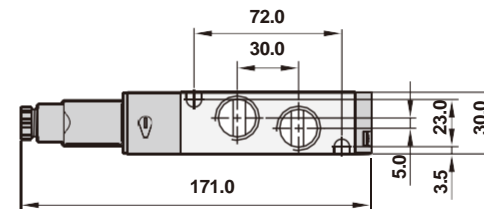
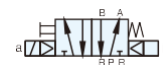
Features

- * Stainless steel SUS316 body for corrosion resistance.
- * Coil nut is available, please refer to page 7-4.
- * Ex-proof coil is available, please refer to page 7-8.

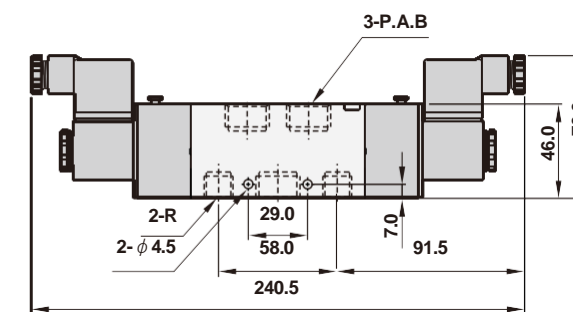
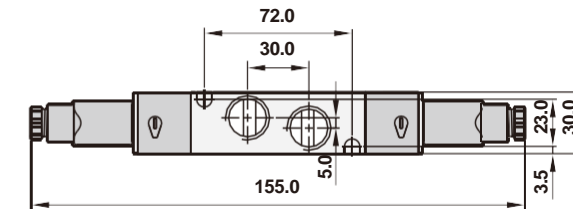


Dimensions

SPU520-02, 03, 04S

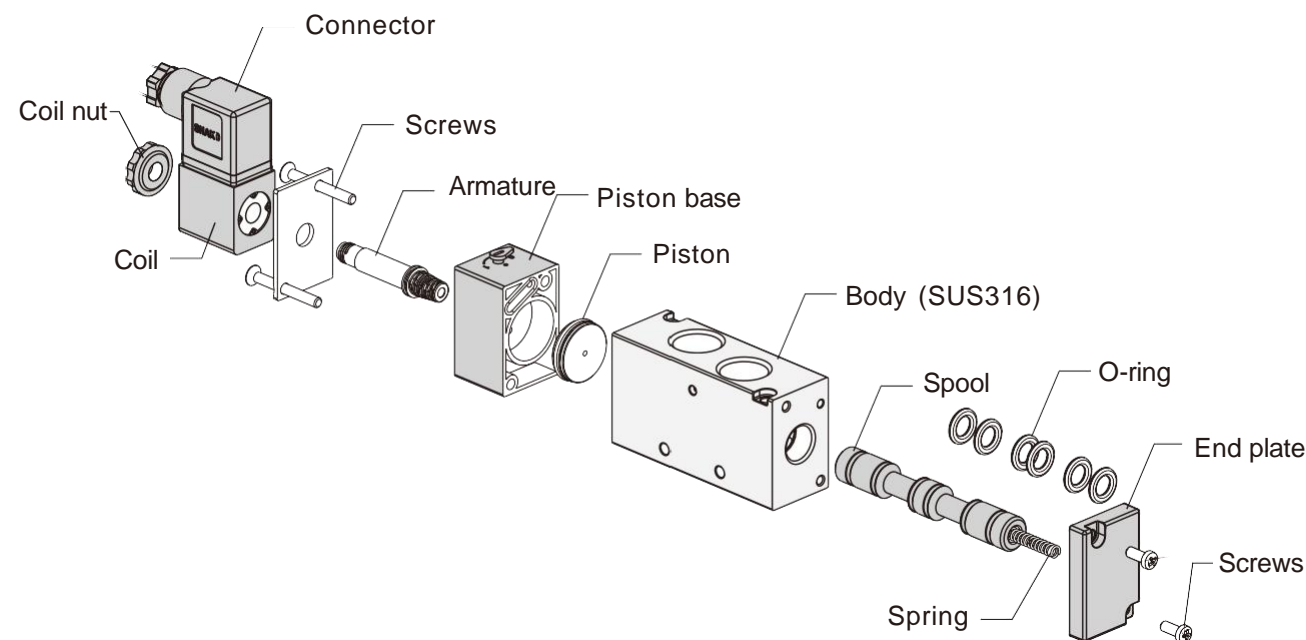


SPU520-02, 03, 04D



| Model | A | B | P | R |
|-----------|-----|-----|-----|-----|
| SPU520-02 | 1/4 | 1/4 | 1/4 | 1/4 |
| SPU520-03 | 3/8 | 3/8 | 3/8 | 3/8 |
| SPU520-04 | 1/2 | 1/2 | 1/2 | 3/8 |

Explosion

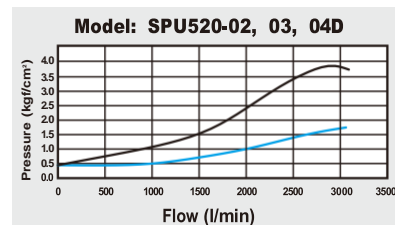
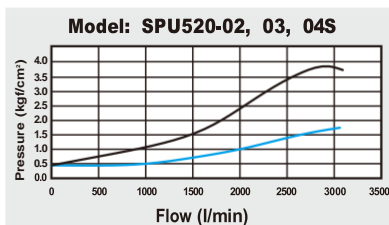


How to order

| | | | | | | | | | | | | |
|---------------|---|-----------|--|----------|---|-------------------|--|----------|--|-----------------|--|--------------------------|
| SPU520 | - | 04 | | N | - | S | | 1 | | LED | | E1 |
| SUS316 series | | Port size | | Thread | | Solenoid | | Voltage | | LED | | Coil type |
| 5/2 way | | 02 1/4" | | Blank G | | S Single solenoid | | 1 110VAC | | Blank (W/O LED) | | Blank DIN |
| | | 03 3/8" | | N NPT | | D Double solenoid | | 2 220VAC | | | | F Lead wire |
| | | 04 1/2" | | | | | | 9 24VDC | | | | E1 EX-proof 22mm width |
| | | | | | | | | | | | | E2 EX-proof 30mm width |
| | | | | | | | | | | | | E3 EX-proof CSA standard |

Flow chart

* Please refer to page P7-8 for the details of ex-proof coil. ▶



Specifications

| Model | SPU520-02, 03, 04S | | SPU520-02, 03, 04D | |
|--------------------------|---|-------------------|--------------------|-------------------|
| Port size | 1/4", 3/8", 1/2" | | 1/4", 3/8", 1/2" | |
| Body material | SUS316 | | | |
| Effective area | 35mm ² | 65mm ² | 35mm ² | 65mm ² |
| Fluid | Compressed air | | | |
| Acting | Internal pilot | | | |
| Operating pressure range | 1.5~8 kgf/cm ² | | | |
| Proof pressure | 9.99 kgf/cm ² | | | |
| Ambient temperature | -10°C ~ 60°C | | | |
| Insulation class | F | | | |
| Temperature class | EEXmIIT4 | | | |
| Duty cycle | 100% ED | | | |
| Voltage tolerance | ± 10% | | | |
| Protection class | IP65 (EN 60529) | | | |
| Standard voltage | 220VAC, 110VAC, 24VDC (The other voltage is optional) | | | |
| Net weight | 1000g | | 1200g | |