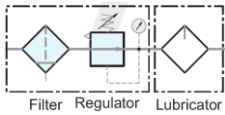


Media: air - Inert Gas  
 Inlet Pressure: 30 Bar max  
 Outlet Pressure: 0 to 20 Bar  
 Media temp: -10°C to +60°C  
 Ambient temp: -10°C to +60°C  
 Mounting: Upright



# Stainless F R L

## 1/4 Miniature Series

### 316 Stainless Steel

#### Manual – Semi Auto Drain

#### 0 – 30 Bar

## TYPE SSFRL02



### PRESSURE

Ø Port BSP	Max Flow Air L/min @ 6Bar (ANR)	Max Inlet Pressure (Bar)	Outlet Pressure (Bar)		Combination	Part Number
			Min	Max		
1/4	1850	30	0.5	20	Filter/Regulator + Lubricator	SSFRL600-02
	1850	30	0.5	20	Filter / Regulator	SSFR500-02
	1900	30	0.5	30	Filter	SSF200-02
	1850	30	0	20	Regulator	SSR200-02
	2500	20	0	20	Lubricator	SSL200-02

### OPTIONS

5 Micron SUS316 Filter Element, Semi-Automatic drain, Pressure Gauge, Plug, Mounting Bracket, Screws  
 Manual Drain (H)  
 40 Micron SUS316 Filter Element  
 NPT or Rc Thread  
 Non relieving (Relieving is standard)

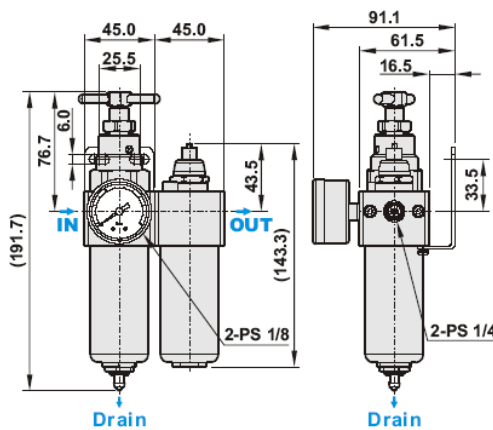
**Included**

### CONSTRUCTION

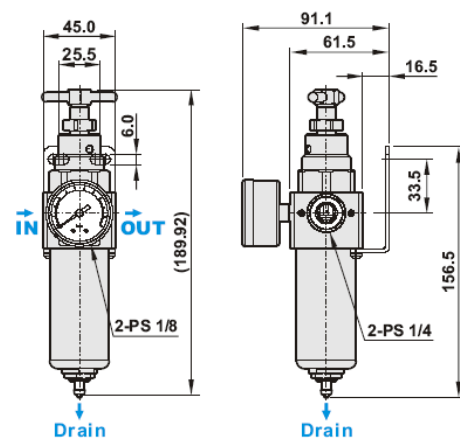
Body, Regulator, Filter (105cc) Lubricator (125cc), Filter Elements, Mounting Bracket, Blanking Plug: 316 Stainless Steel  
 Pressure gauge: Case 304 Stainless Steel /Thread 316 Stainless Steel  
 Test pressure: 40 Bar

### OVERALL DIMENSIONS

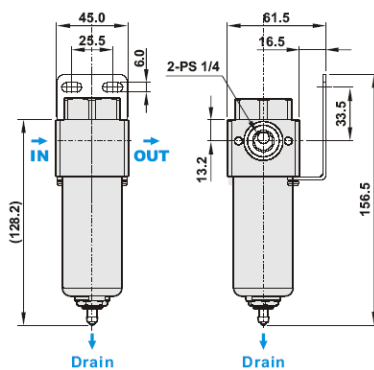
**SSFRL600 (2.66Kg)**



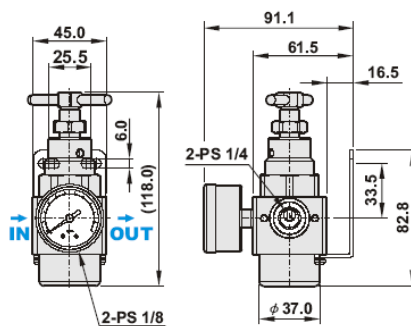
**SSFR500 (1.38Kg)**



**SSF200 (1.2Kg)**



**SSR200 (1.2Kg)**



**SSL200 (1.2Kg)**

