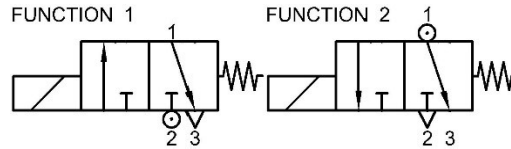




# 3/2 Way Direct Acting N.C. Plunger Series

Opening: 20~60ms

Closing: 40~120ms



AMBIENT TEMP. -15°C~50°C (No Freezing)

Coil No.	#4	#5	#3E
AC(VA)	18.0	24.0	8.6
Final Temp. °C	88.0	93.0	63.0
DC(W)	15.0	18.5	10.0
Final Temp. °C	103.0	109.0	82.0

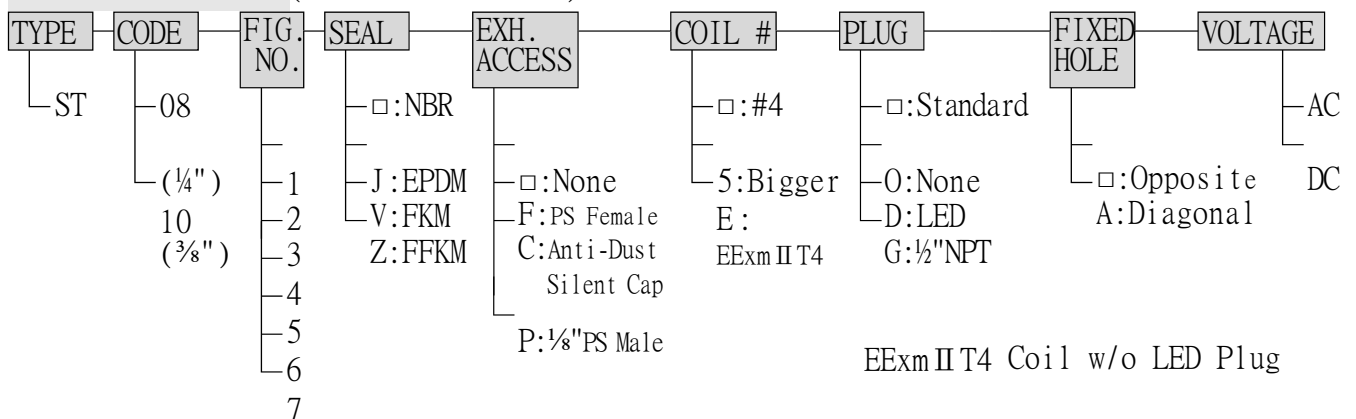
SEAL TEMP. °C

Coil No.	#4	#3E	#5
N:NBR	-5~80		
J:EPDM	-10~145		
V:FKM	-10~145		
Z:FFKM	-20~160	-20~185	

SPECIFICATIONS SUS303 Body, For Water, Air, Gas, Light Oil (50cst down)、Vacuum etc.

CODE (PIPE)	FIG. NO.	ORIFICE mm		SEAL	COIL	WORKING PRESSURE 0~ bar						Cv	Torr
		Body	Tube			#4		#5		#3E			
						1	2	1	2	1	2		
08(¼")	1	1.3	1.6	N	#4	9	10	12	12	8	10	0.05	10 <sup>-2</sup>
	2	1.6				8.5		6		0.10			
	3	2.0	2.0			5.5	8	7	10	5	8	0.15	
10(⅜")	4	2.5	2.5	V	#5	4	6.5	5.5	8	3	6.5	0.20	10 <sup>-1</sup>
	5	3.0				2.5		4		2		0.31	
	6	4.0	3.0			Z	#3E	1.5	4.5	2.5	5.5	1.5	
	7	5.0		1	1.5			0.8		0.65			

TYPE INDICATION (□ means standard)



## Examples

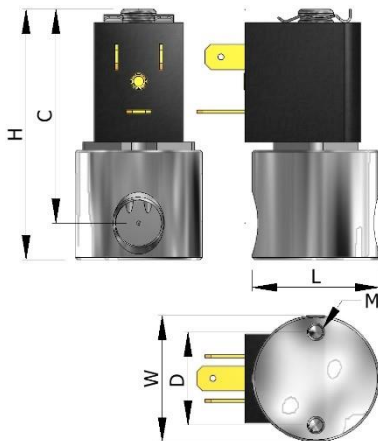
Example 1: ST08-1-D-AC220V  
 TYPE ST, ¼"Pipe, Body 1.3 mm, Tube 1.6mm, NBR SEAL, Nass #4 Coil, LED Plug, AC220V

Example 2: ST10-3-V-5-DC24V  
 TYPE ST, ⅜"Pipe, Body 2.0 mm, Tube 2.0mm, FKM SEAL, Nass #5 Coil, Standard Plug, DC24V

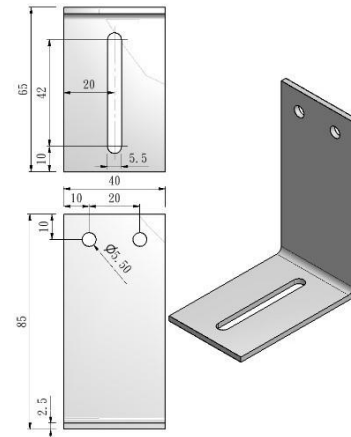
## DIMENSIONS/WEIGHT

TYPE	SIZE:mm						NET WEIGHT:kg		
	L	H	C	D	M	A	#4	#5	#3E
08(¼")	40	86	75	31	M5	22	0.50	0.58	0.83
10(⅜")	42	87				24	0.52	0.60	0.85

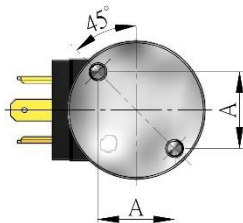
## DIMENSIONED DRAWING



## OPTION ACCESSORY Bracket (For Opposite Fixed Hole only)



## Diagonal Hole



## OPTION ACCESSORY EXHAUST PARTS

F:PS Female

PORT	A
¼"	20.0
⅜"	22.0

