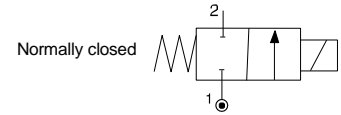




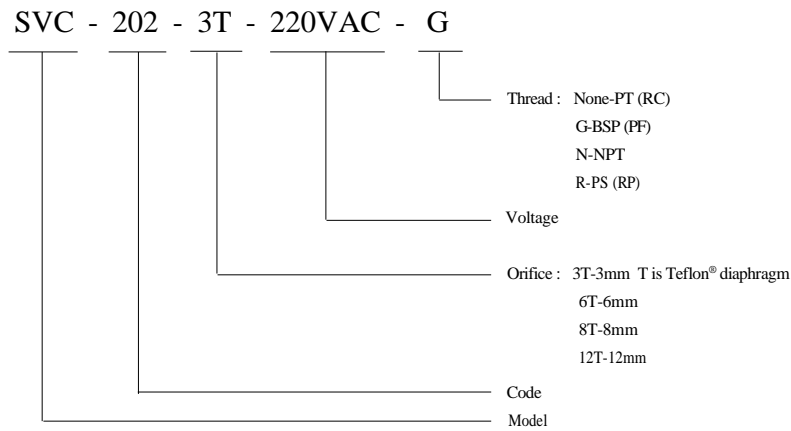
2/2-way solenoid valve of P T F E body for high corrosion-resistant application

Direct-operated Type



Model	Port size	Orifice (mm)	CV value	Fluid temp. (°C)	Seat disc	Differential pressure kg/cm ² (bar)	Coil Model	Wt. (kg)
						Acid/Alkali Fluids		
SVC - 202-3T	1/4 "	3	0.26	-10	PTFE	0-2	RF-1	0.35
SVC - 202-6T	1/4 "	6	1.12			0-0.5	RF-1	0.35
SVC - 203-3T	3/8 "	3	0.26	∫		0-5	RF-2	0.55
SVC - 203-6T	3/8 "	6	1.12			0-1	RF-2	0.55
SVC - 204-8T	1/2 "	8	1.40	40		0-1	RF-3	1.50
SVC - 204-12T	1/2 "	12	3.30			0-0.5	RF-3	1.50

How to order



Notes:

1. Direct-acting valves are ideally suited to operate at any angle.
2. Voltage drop range is within ±10%.
3. Max. temperature is up to 80°C.
4. Selection of coil refer to page 136~139.
5. Strong corrosive fluids, air suitable.

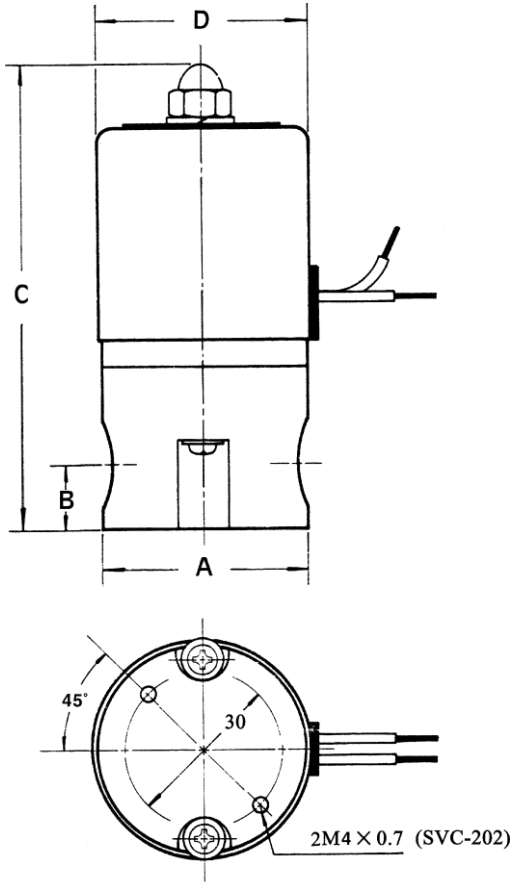
Inapplicable Fluids:

1. Fluids that have kinematic viscosity over 50 CST.
2. Fluids that will turn to liquid after being heated and become solid after being cooled.

SVC

2/2-way solenoid valve of P T F E body for high corrosion-resistant application

● **SVC-202 ~ 204 Contour Specification Chart**

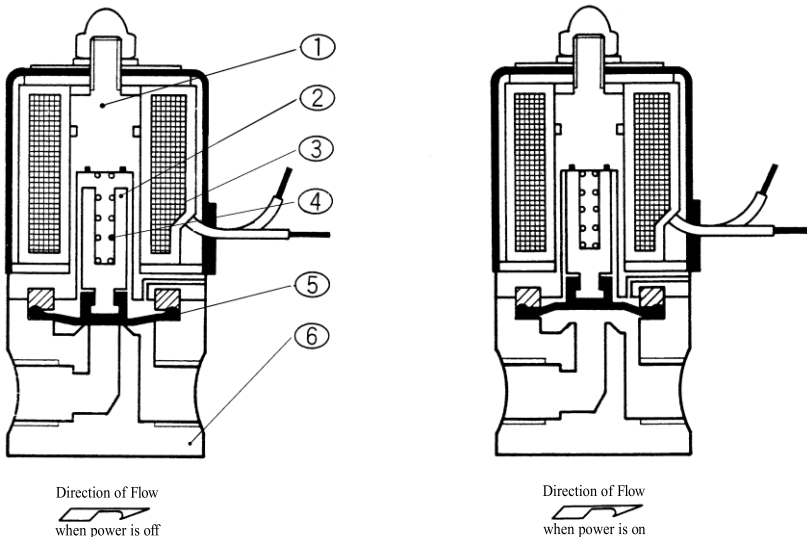


● **Specifications**

Unit:mm

Item	A	B	C	D
SVC-202-3T/6T	40	12.5	89	42
SVC-203-3T/6T	50	13.5	120	52
SVC-204-8T/12T	70	19	155	60

● **SVC-202 ~ 204 Operation Chart**



● **SVC-202~204 Material Table**

Item	Article	Material
1	Solenoid Tube	Stainless Steel
2	Armature Core	Stainless Steel
3	Coil	Brass Wire
4	Spring	Stainless Steel
5	Diaphragm	Teflon®
6	Valve Body	Teflon®