

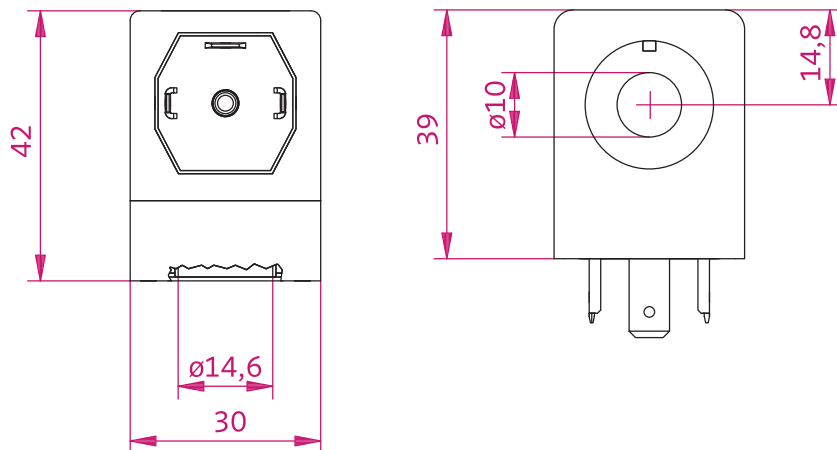


SOLENOID COIL

Width: 30 mm
Connection type: form A - EN 175301-803-A
Moulding material: thermoset resin

General Data

Voltage tolerance $\pm 10\%$
Ambient temperature $-20\text{ }^{\circ}\text{C}$ to $+50\text{ }^{\circ}\text{C}$
Relative duty cycle 100 %
Insulation class of insulating materials
according to DIN VDE 0580 F
Degree of protection with connector
according to EN 60529 IP 65 (IP 67 on request)
Protective class I
Imprint *nass magnet* (customer imprint possible)



**Technical Data** Standard Versions

Part No.	Voltage	Frequency [Hz]	Rated Power		Power Level	$\Delta\theta_{32}$ [K]
			[W]	[VA]		
113-030-0042	24 V DC	-	2,0		1	20
113-030-0045	48 V DC	-	2,1		1	20
113-030-0032	48 V DC	-	1,6		1	40
113-030-0032	220 V AC	50		6,4	1	40
113-030-0032	230 V AC	50		6,6	1	40
113-030-0032	240 V AC	60		5,7	1	40
113-030-0278	12 V DC	-	6,0		2	60
113-030-0026	24 V DC	-	6,1		2	45
113-030-0029	24 V AC	50		10,8	2	60
113-030-0029	24 V AC	60		9,6	2	60
113-030-0036	110 V AC	50		11,1	2	60
113-030-0036	120 V AC	60		11,7	2	60
113-030-0033	220 V AC	50		10,8	2	60
113-030-0044	12 V AC	50		19,3	3	100
113-030-0044	12 V AC	60		17,1	3	90
113-030-0027	24 V DC	-	11,0		3	70
113-030-0039	24 V AC	50		17,9	3	90
113-030-0039	24 V AC	60		15,6	3	85
113-030-0037	110 V AC	50		17,6	3	90
113-030-0037	120 V AC	60		18,3	3	90
113-030-0034	220 V AC	50		18,1	3	90
113-030-0034	240 V AC	60		18,9	3	95
113-030-0033	240 V AC	60		11,4	3	60
113-030-0047	12 V DC	-	15,0		4	95
113-030-0028	24 V DC	-	15,0		4	95
113-030-0040	24 V AC	50		21,8	4	105
113-030-0040	24 V AC	60		19,4	4	105
113-030-0043	48 V AC	50		26,2	4	105
113-030-0043	48 V AC	60		23,2	4	105
113-030-0052	48 V AC	50		19,0	4	100
113-030-0052	48 V AC	60		16,6	4	90
113-030-0038	110 V AC	50		24,8	4	105
113-030-0049	110 V AC	50		21,7	4	105
113-030-0049	110 V AC	60		19,2	4	105
113-030-0038	120 V AC	60		26,1	4	105
113-030-0041	195 V DC	-	16,6		4	105
113-030-0035	220 V AC	50		22,0	4	105
113-030-0050	230 V AC	50		21,4	4	105
113-030-0050	230 V AC	60		19,0	4	105
113-030-0031	240 V AC	50		17,9	4	90
113-030-0035	240 V AC	60		23,2	4	105

$\Delta\theta_{32}$ [K]: steady-state over-temperature according to VDE 0580

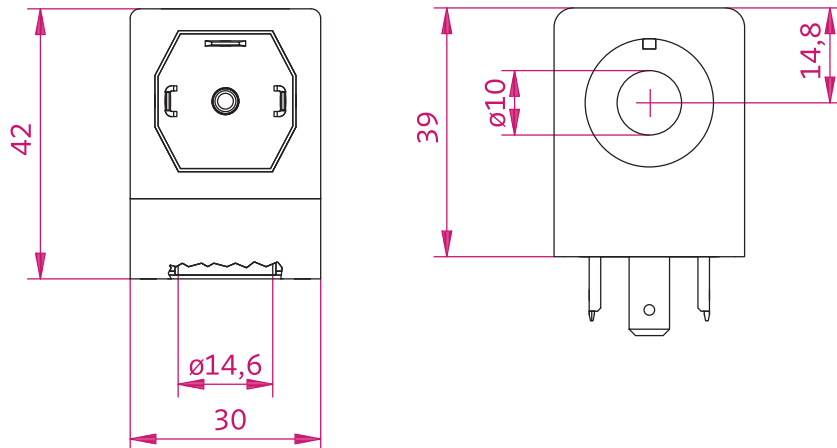


SOLENOID COIL

Width: 30 mm
Connection type: form A - EN 175301-803-A
Moulding material: thermoplastic

General Data

Voltage tolerance ± 10 %
Ambient temperature - 20 °C to + 50 °C
Relative duty cycle 100 %
Insulation class of insulating materials
according to DIN VDE 0580 F
Degree of protection with connector
according to EN 60529 IP 65
Protective class I
Imprint *nass magnet* (customer imprint possible)





Technical Data Standard Versions

Part No.	Voltage	Frequency [Hz]	Rated Power [W] [VA]	Power Level	$\Delta\theta_{32}$ [K]
113-030-0199	24 V DC	-	6,1	2	50
113-030-0200	24 V DC	-	11,0	3	80
113-030-0205	110 V AC	50	17,6	3	100
113-030-0205	120 V AC	60	18,3	3	100
113-030-0204	220 V AC	50	18,1	3	100
113-030-0204	220 V AC	60	15,9	3	95
113-030-0203	240 V AC	50	17,6	3	100
113-030-0203	240 V AC	60	15,9	3	95
113-030-0201	24 V DC	-	15,0	4	105
113-030-0206	24 V AC	50	19,3	4*	105
113-030-0206	24 V AC	60	16,0	4*	105

$\Delta\theta_{32}$ [K]: steady-state over-temperature according to VDE 0580

* When using AC type models with a power rating of 4 the maximum ambient temperature must not exceed + 40 °C.