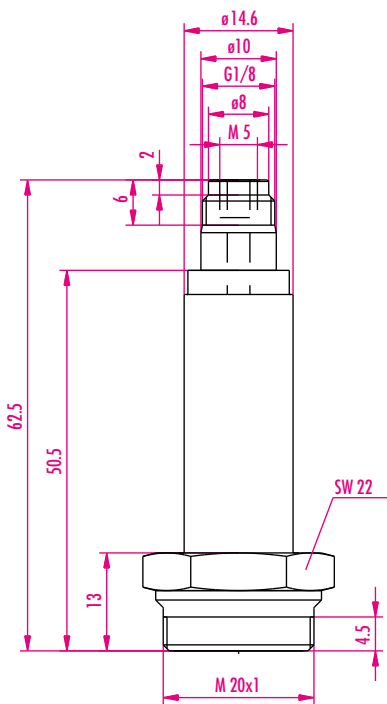


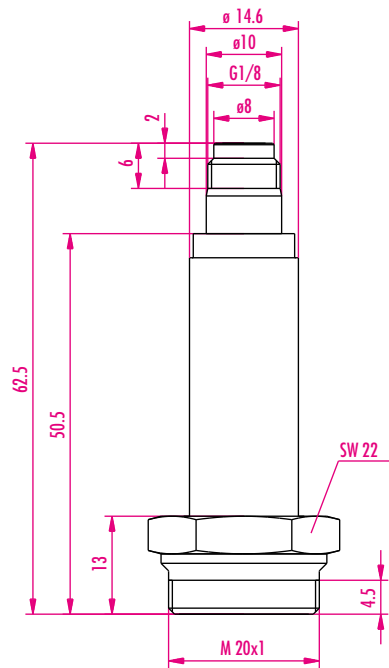


Armature Assembly

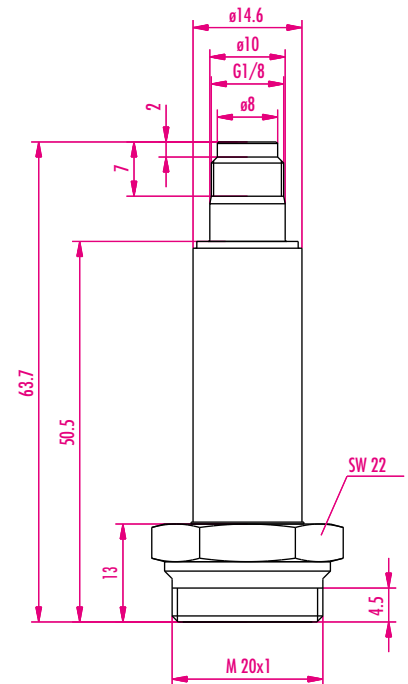
2/2 and 3/2 Way
 Normally Closed (NC) / **Open (NO)**
 Connection Type: Thread M 20 x 1
 for AC and DC Applications



Normally Closed (NC)
3/2 Way



Normally Closed (NC)
2/2 Way



Normally Open (NO)
2/2 Way

General Data	
Quality of medium according to ISO 8573-1 when using FKM sealing elements	Compressed air class 4, 3, 4
Mounting position (preferably plunger in vertical direction)	Any

Technical Data / Standard Versions										
Drawing No.	Part No.	Function	Power Level	Nominal Orifice Inlet / Exhaust [mm]	Pressure [bar]	Thread M 20 x 1		Armature Guide		Sealing Material
						Metal Sealing	O-Ring Sealing	Brass	Stainless Steel	FPM**
0543 32.6-00	260 7246	2/2 Way NC	2, 3, 4	see page 20 - 21			x		x	x
0543 62.6-00	260 3526	2/2 Way NC	2, 3, 4	see page 20 - 21		x			x	x
0543 30.6-00	260 7512	2/2 Way NC	2, 3, 4	see page 20 - 21		x	x	x		x
0543 95.6-00	260 6960	2/2 Way NO*	3	see page 20 - 21		x			x	x
0543 83.6-00	260 6562	2/2 Way NO*	5	see page 20 - 21		x			x	x
0543 52.6-00	260 3117	3/2 Way NC	1	1.3/ 1.5	10	x			x	x
0543 50.6-00	260 2980	3/2 Way NC	2	2.0/ 2.5	10	x			x	x
0543 51.6-00	260 2914	3/2 Way NC	3	2.5/ 3.0	10	x			x	x
0543 33.6-00	260 7243	3/2 Way NC	3	2.5/ 3.0	10		x		x	x
0543 58.6-00	260 3120	3/2 Way NC	4	3.0/ 3.5	10	x			x	x
0543 03.6-00	260 7631	3/2 Way NC	4	3.0/ 3.5	10		x		x	x

*respect type of connection
 ** minimum permissible temperature -10°C (FPM), see summary of temperatures under „Useful Information“, page 6