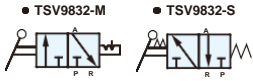


### Symbol



### Features

1. Easy operation.
2. Large flow rate.
3. Suitable for vacuum operation.
4. Available for panel mounting.



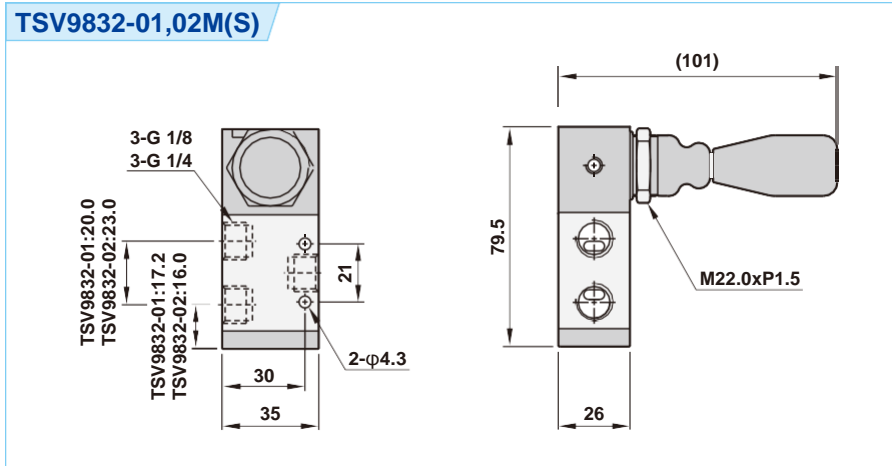
### How to order

<b>TSV9832 - 02</b>	<b>N</b>	<b>M</b>
3/2 Way	Thread	Acting
Port size 01:1/8" 02:1/4"	Blank:G N :NPT R :Rc	S:Spring return M:Detent

### Specifications

Model	TSV9832-01M(S)	TSV9832-02M(S)
Port size	1/8"	1/4"
Body material	Aluminum alloy	
Fluid	Compressed air	
Sectional area	18mm <sup>2</sup>	
Operating pressure range	0 ~ 9 kgf/cm <sup>2</sup>	
Proof pressure	10 kgf/cm <sup>2</sup>	
Ambient temperature	-10°C ~ 60°C	

### Dimensions



### Flow chart

