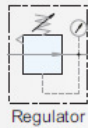


Symbol



Regulator

Features

- *Large flow rate (Max. 30000 l/min)
- *Aluminum alloy body, light weight.
- *Pilot regulator is available for remote control.



How to order

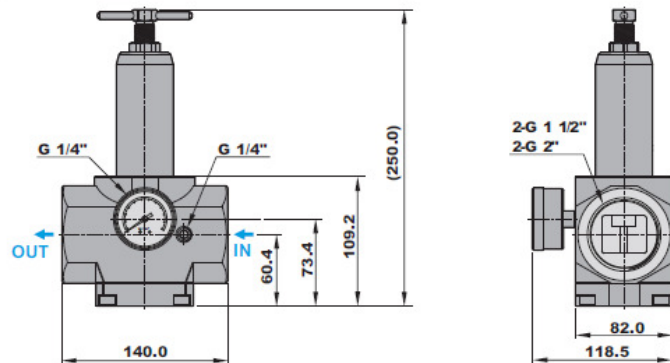
UR		20		N	
UR	Regulator	Port size	Thread	Blank	G
UAR	Pilot regulator	14	1 1/2"	N	NPT
		20	2"	R	Rc

Specifications

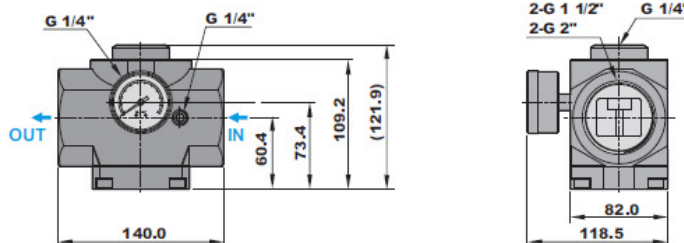
Model	UR-14	UR-20	UAR-14	UAR-20
Port size	1 1/2"	2"	1 1/2"	2"
Fluid	Compressed air			
Regulator construction	Piston			
Operating pressure range	0 ~ 8 kgf/cm ²			
Proof pressure	10 kgf/cm ²			
Max. flow rate l/min (ANR)	30000 l/min (input 7 kgf/cm ² output 6 kgf/cm ²)			
Ambient temperature	-10 °C ~ 60 °C			
Net weight	2.8 kg	2.5 kg	2.2 kg	2.0 kg
Accessories	Pressure gauge, plug			

Dimensions

UR-14, 20



UAR-14, 20



Installation

