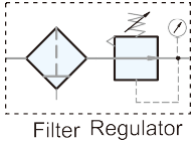


Symbol



Features

1. Remove water and particle effectively.
2. 40 μ m and 5 μ m filter elements are easily interchangeable and replaceable.
3. Accurate and easy pressure setting.



How to order

UCFR	—	02	N	C	G	H	A
Filter Regulator	Port size	Thread	Filtration	Gauge type	Drain	Bowl	
	02: 1/4" 03: 3/8" 04: 1/2"	Blank: G N : NPT R : Rc	PE Blank: 5 μ m C : 40 μ m Sintered brass S: 5 μ m T: 40 μ m	Blank : Square G : Circle	Blank: Semi-auto drain H : Manual drain D : Auto drain	Blank : Standard bowl A : Anti-acid & alkali bowl AL : Aluminum bowl	

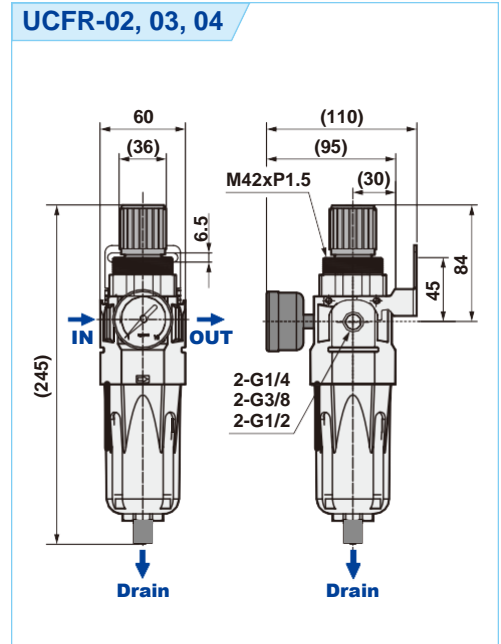
Please contact our sales for non-relieving type.

*For non-relieving type, the secondary pressure is not allowed to be exhausted when it is higher than setting pressure.

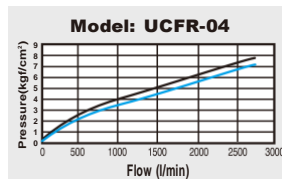
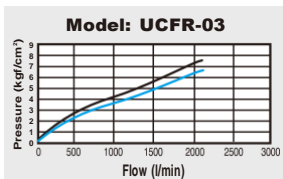
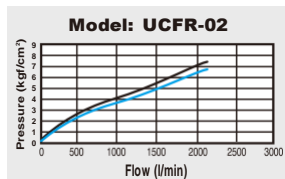
Specifications

Model	UCFR-02	UCFR-03	UCFR-04
Port size	1/4"	3/8"	1/2"
Fluid	Compressed air		
Regulator construction	Piston		
Body material	Aluminum die-cast		
Bowl material	Polycarbonate (Standard), Anti-acid & alkali bowl (Option), Aluminum bowl (Option)		
Filtration	PE: 5 μ m (Standard), 40 μ m (Option); Sintered brass (Option): 5 μ m, 40 μ m		
Operating pressure range	0.5 ~ 9.9 kgf/cm ²		
Max. inlet pressure	15 kgf/cm ²		
Max. flow rate l/min (ANR)	2080	2100	2600
Ambient temperature	-10°C ~ 60°C		
Filter bowl capacity	105cc		
Standard drain	Semi-auto drain (Drains below 0.5kgf/cm ²)		
Net weight	810g (W/I Aluminum bowl, 1010g)		
Accessories	Mounting bracket set, Plug		
Option	Gauge plate, Mounting nut		

Dimensions



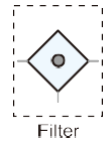
Flow chart



Note:

X axis: Flow (l/min)
Y axis: Pressure (kgf/cm²)
Blue line (P0) = Outlet pressure
Black line (P1) = Inlet pressure
P1-P0=Pressure range

Symbol



Features

1. UCMF series effectively removes oil, water, carbon and particle.
2. With 0.01µm glass fiber filter element.
3. High quality control ensures stable running and long life.
4. Convenient to see air quality from pressure indicator, prevent the filter element from clogging.

Note: Please install air filter UF series upstream to extend life of filter element.



How to order

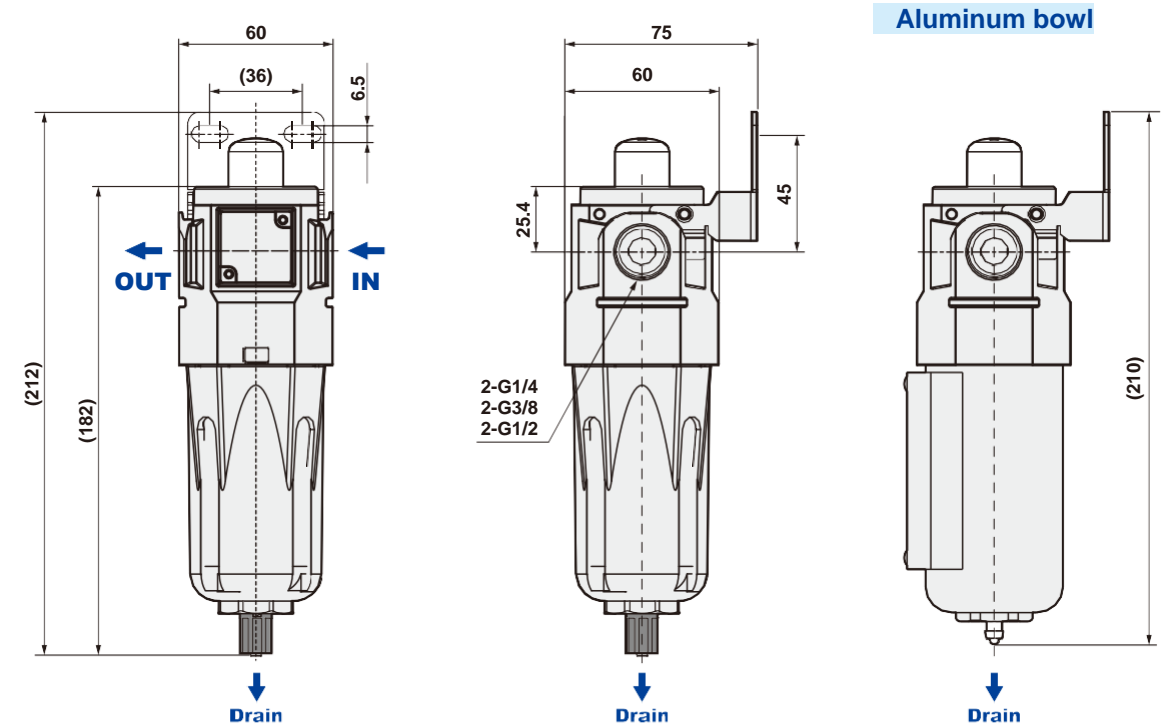
UCMF	Port size	Thread	Filtration	Drain	Mounting	Bowl
02	1/4"	Blank : G	Blank : 0.01µm	Blank : Semi-auto drain	Blank : W/O bracket	Blank : Standard bowl
03	3/8"	N : NPT	L : 0.1µm	H : Manual drain	B : W/I bracket	A : Anti-acid & alkali bowl
04	1/2"	R : Rc	K : 0.01µm Activated charcoal filter element			AL : Aluminum bowl

Specifications

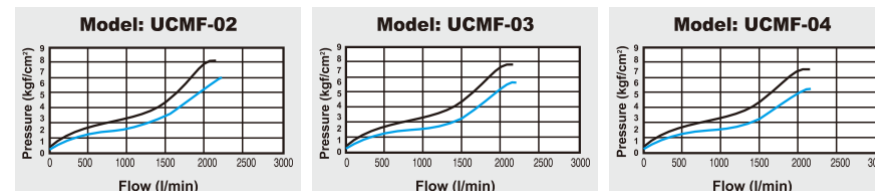
Model	UCMF-02	UCMF-03	UCMF-04
Port size	1/4"	3/8"	1/2"
Fluid	Compressed air		
Body material	Aluminum die-cast		
Bowl material	Polycarbonate (Standard), Anti-acid & alkali bowl (Option), Aluminum bowl (Option)		
Filtration	0.01µm (Option 0.1 µm)		
Operating pressure range	0.5 ~ 10 Bar		
Proof pressure (Standard bowl)	15 Bar		
Max. flow rate l/min (ANR)	2050	2100	2150
Ambient temperature	-10°C ~ 60°C		
Filter bowl capacity	65cc		
Standard drain	Semi-auto drain (Drains below 0.5 Bar)		
Net weight	600g (Al bowl 900g)		
Option	Mounting bracket set		

Dimensions

UCMF-02, 03, 04



Flow chart



Note:

X axis: Flow (l/min)
 Y axis: Pressure (kgf/cm²)
 Blue line (P0) = Outlet pressure
 Black line (P1) = Inlet pressure
 P1-P0= Pressure range