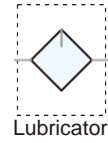


Symbol



Features

- Lubricator oil can be replenished without stopping air supply.
- Oil spray in mist ensures good lubrication for machines.

How to order

UCL	-	02	N	A
Lubricator	Port size	Thread	Bowl	
	02 : 1/4"	Blank: G	Blank: Standard bowl	
	03 : 3/8"	N : NPT	A : Anti-acid & alkali bowl	
	04 : 1/2"	R : Rc	AL : Aluminum bowl	

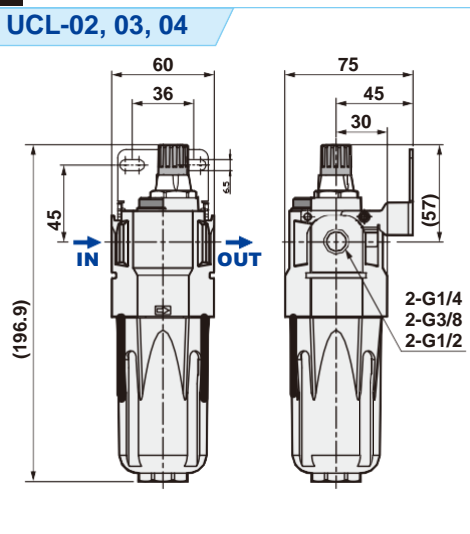


*Lubricator oil (Recommended): ISO-VG32

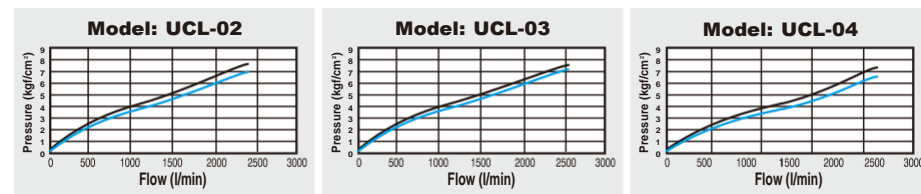
Specifications

Model	UCL-02	UCL-03	UCL-04
Port size	1/4"	3/8"	1/2"
Fluid	Compressed air		
Body material	Aluminum die-cast		
Bowl material	Polycarbonate (Standard), Anti-acid & alkali bowl (Option), Aluminum bowl (Option)		
Operating pressure range	0.5 ~ 9.9 kgf/cm ²		
Proof pressure (Standard bowl)	15 kgf/cm ²		
Max. flow rate l/min (ANR)	2080	2100	2600
Ambient temperature	-10°C ~ 60°C		
Lubricator bowl capacity	125cc		
Net weight	550g (W/I Aluminum bowl, 720g)		
Accessories	Mounting nut set		

Dimensions



Flow chart



Note:
 X axis: Flow (l/min)
 Y axis: Pressure (kgf/cm²)
 Blue line (P0) = Outlet pressure
 Black line (P1) = Inlet pressure
 P1-P0=Pressure range

Memo...

