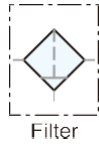


## Symbol



## Features

1. For high pressure use, corrosion and chemical resistance.
2. Good performance in chemically working environments and outdoor facility.
3. Suitable for semi-conductor industry.
4. The product effectively removes water and particle.
5. Strict quality control.
6. CE and EX-proof certified.

## How to order

USF	B	-	02	N	C	H	W
Stainless Steel Filter	Pressure		Port size	Thread	Filtration	Drain	Bowl viewer
	Blank: 0.5~30kgf/cm <sup>2</sup> B: 0.5~12kgf/cm <sup>2</sup>		02 : 1/4" 03 : 3/8" 04 : 1/2" 06 : 3/4" 08 : 1"	Blank : G N : NPT R : Rc	Blank : 5µm C : 40µm	Blank : Semi-auto drain H : Manual drain D : Auto drain <small>(Working pressure: 0.5 ~ 9.9 kgf/cm<sup>2</sup>)</small>	Blank : W/O viewer W : Viewer (for 3/4", 1") <small>(See *Remark below)</small>

\*Remark: Only for USFB (0.5 ~ 12 kgf/cm<sup>2</sup>)

## Specifications

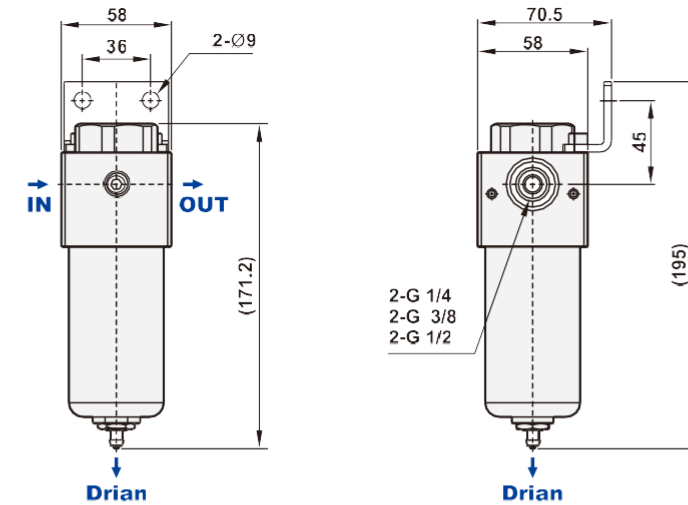
Model	USF-02	USF-03	USF-04	USF-06	USF-08
Port size	1/4"	3/8"	1/2"	3/4"	1"
Fluid	Compressed air				
Body material	Stainless steel SUS316				
Bowl material	Stainless steel SUS316				
Filter element material	Stainless steel SUS316				
Filtration	5µm(Standard), 40µm(Option)				
Operating pressure range	USF: 0.5 ~ 30 kgf/cm <sup>2</sup> , USFB: 0.5 ~ 12 kgf/cm <sup>2</sup>				
Max. inlet pressure	60 kgf/cm <sup>2</sup> (Bowl viewer: 15 kgf/cm <sup>2</sup> )				
Max. flow rate l/min (ANR) 40µm	2440	2450	3030	B9600/19200	
Ambient temperature	-10°C ~ 70°C				
Filter bowl capacity	110cc		200cc		
Proof pressure	80 kgf/cm <sup>2</sup> (Bowl viewer: 40 kgf/cm <sup>2</sup> )				
Standard drain	Semi-auto drain (Drains below 0.5kgf/cm <sup>2</sup> )				
Net weight	1650 g		3950 g		
Accessories	Mounting bracket set, Plug				

CE Ex II 2G Ex h IIC T4 Gb  
II 2D Ex h IIC T135°C Db  
-10 °C ≤ Ta ≤ 70 °C

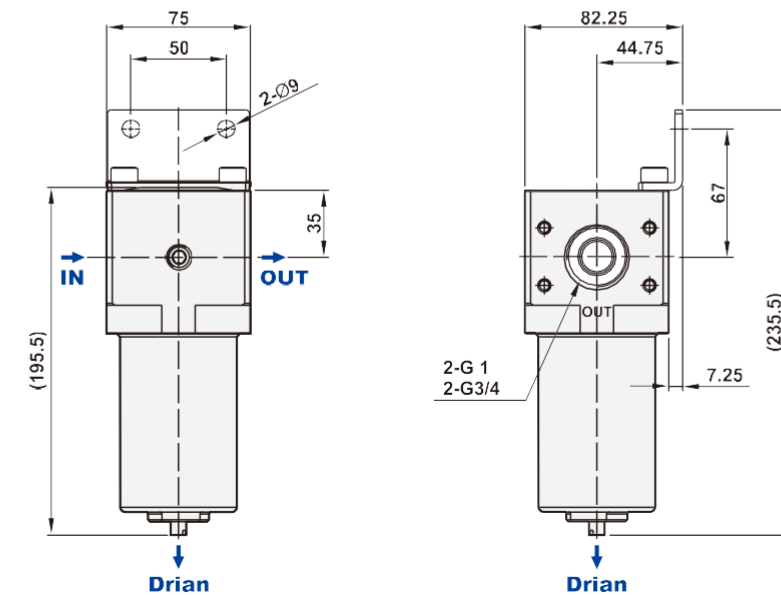


## Dimensions

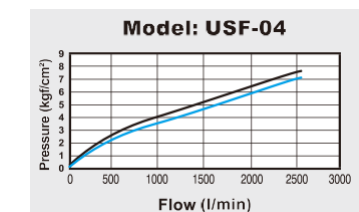
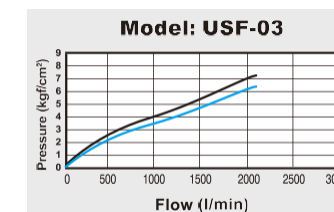
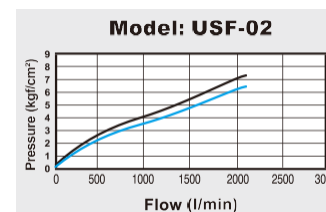
### USF-02, 03, 04



### USF-06, 08



## Flow chart



**Note:** X axis: Flow (l/min), Y axis: Pressure (kgf/cm<sup>2</sup>), Blue line (P0) = Outlet pressure, Black line (P1) = Inlet pressure, P1-P0 = Pressure range