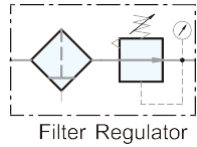


Stainless Steel SUS316 Filter Regulator

Symbol



Features

1. For high pressure use, corrosion and chemical resistance.
2. Good performance for outdoor facility.
3. Suitable for semi-conductor industry.
4. The product effectively removes water and particle.
5. Accurate and sensitive pressure setting.
6. CE and EX-proof certified.

How to order

USFR	B	-	02	N	C	H	W
Stainless Steel Filter Regulator	Pressure		Port size	Thread	Filtration	Drain	Bowl viewer
	Blank: 0.5~30kgf/cm ² (for 1/4", 3/8", 1/2")		02 : 1/4" 03 : 3/8"	Blank : G N : NPT R : Rc	Blank : 5µm C : 40µm	Blank : Semi-auto drain H : Manual drain D : Auto drain (Working pressure: 0.5 ~ 9.9 kgf/cm ²)	Blank : W/O viewer W : Viewer (for 3/4", 1") (See *Remark below)
	0.5~28kgf/cm ² (for 3/4", 1")		04 : 1/2" 06 : 3/4" 08 : 1"				
	B : 0.5~12kgf/cm ²						

Please contact our sales for non-relieving type.

*For non-relieving type, the secondary pressure is not allowed to be exhausted when it is higher than setting pressure.

*Remark: Only for USFRB (0.5 ~ 12 kgf/cm²).

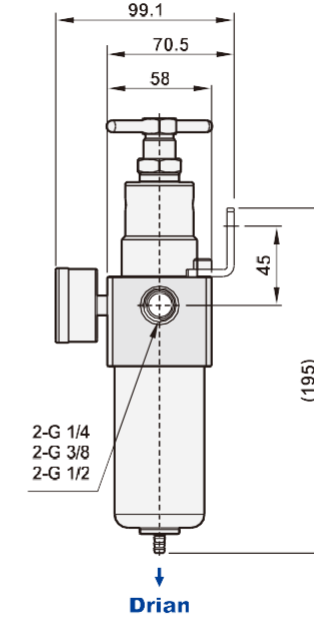
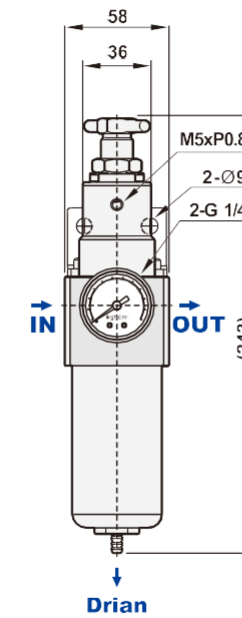
*Spring: USFRB = SUS303
USFR = Alloy steel

Specifications

Model	USFR-02	USFR-03	USFR-04	USFR-06	USFR-08
Port size	1/4"	3/8"	1/2"	3/4"	1"
Fluid	Compressed air				
Regulator construction	Piston				
Body material	Stainless steel SUS316				
Bowl material	Stainless steel SUS316				
Pressure gauge material	Case: Stainless steel SUS304, Thread: Stainless steel SUS316				
Filtration	5µm (Standard)				
Element material	Stainless steel SUS316				
Operating pressure range	USFRB: 0.5 ~ 12 kgf/cm ² USFR: 0.5 ~ 30 kgf/cm ²		USFRB: 0.5 ~ 12 kgf/cm ² USFR: 0.5 ~ 28 kgf/cm ²		
Max. inlet pressure	60 kgf/cm ² (Bowl viewer: 15 kgf/cm ²)				
Max. flow rate l/min (ANR) 40µm	2200	2500	3800	B8500/17000	B8900/21000
Ambient temperature	-10°C ~ 70°C				
Filter bowl capacity	110cc		200cc		
Proof pressure	80 kgf/cm ² (Bowl viewer: 40 kgf/cm ²)				
Standard drain	Semi-auto drain (Drains below 0.5kgf/cm ²)				
Net weight	2000g		4580g		
Accessories	Pressure gauge (0~20kg), Plug, Mounting bracket set				
Option	Pressure gauge (0~10kg), Pressure gauge (0~30kg)				

Dimensions

USFR-02, 03, 04



USFR-06, 08

