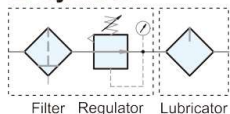


Symbol



Filter Regulator Lubricator

Features

1. For high pressure use, corrosion and chemical resistance.
2. Good performance for outdoor facility.
3. Suitable for semi-conductor industry.
4. Large flow rate and effectively removes water and particle.
5. Accurate and sensitive pressure setting.
6. Lubricator oil can be replenished without stopping air supply.
7. Oil spray in mist ensures good lubrication for machines.
8. CE and EX-proof certified.



*Lubricator oil (Recommended): ISO-VG32

CE Ex II 2G Ex h IIC T4 Gb
II 2D Ex h IIC T135 C Db
-10 °C ≤ Ta ≤ 70 °C

How to order

USFR/L	B	-	02	N	C	H	W
Stainless Steel F.R.L Combination	Pressure		Port size	Thread	Filtration	Drain	Bowl viewer
	Blank: 0.5~30kgf/cm ² (for 1/4", 3/8", 1/2")		02 : 1/4" 03 : 3/8" 04 : 1/2" 06 : 3/4" 08 : 1"	Blank : G N : NPT R : Rc	Blank : 5µm C : 40µm	Blank : Semi-auto drain H : Manual drain D : Auto drain (Working pressure: 0.5 ~ 99 kgf/cm ²)	Blank : W/O viewer W : Viewer (for 3/4", 1") (See *Remark below)
	0.5~28kgf/cm ² (for 3/4", 1")						
	B: 0.5~12kgf/cm ²						

Please contact our sales for non-relieving type.

*For non-relieving type, the secondary pressure is not allowed to be exhausted when it is higher than setting pressure.

*Remark: Only for USFR/LB (0.5 ~ 12 kgf/cm²).

*Spring: USFR/LB = SUS303

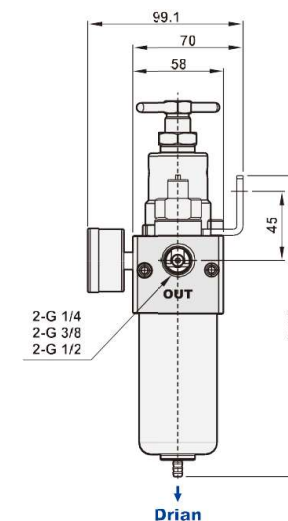
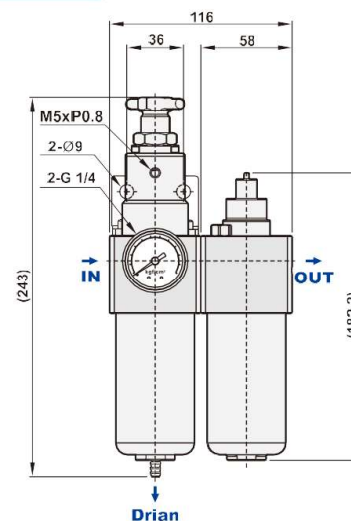
USFR/L = Alloy steel

Specifications

Model	USFR/L-02	USFR/L-03	USFR/L-04	USFR/L-06	USFR/L-08
Port size	1/4"	3/8"	1/2"	3/4"	1"
Fluid	Compressed air				
Regulator construction	Piston				
Body material	Stainless steel SUS316				
Bowl material	Stainless steel SUS316				
Pressure gauge material	Case: Stainless steel SUS304, Thread: Stainless steel SUS316				
Filtration	5µm(Standard)				
Element material	Stainless steel SUS316				
Operating pressure range	USFR/LB: 0.5 ~ 12 kgf/cm ² USFR/L: 0.5 ~ 30 kgf/cm ²		USFR/LB: 0.5 ~ 12 kgf/cm ² USFR/L: 0.5 ~ 28 kgf/cm ²		
Max. inlet pressure	60 kgf/cm ² (Bowl viewer: 15 kgf/cm ²)				
Max. flow rate l/min (ANR) 40µm	2080	2200	2500	B7600/15200	B8000/15200
Ambient temperature	-10 °C ~ 70 °C				
Filter bowl capacity	110cc		200cc		
Lubricator bowl capacity	130cc		220cc		
Proof pressure	80 kgf/cm ² (Bowl viewer: 40 kgf/cm ²)				
Standard drain	Semi-auto drain (Drains below 0.5kgf/cm ²)				
Net weight	3800g	3870g	3840g	7960g	
Accessories	Pressure gauge (0~20kg), Plug, Mounting bracket set				
Option	Pressure gauge (0~10kg), Pressure gauge (0~30kg)				

Dimensions

USFR/L-02, 03, 04



USFR/L-06, 08

