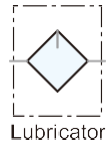


Symbol



Features

1. For high pressure use, corrosion and chemical resistance.
2. Good performance in chemically working environments and outdoor facility.
3. Lubricator oil can be replenished without stopping air supply.
4. Oil spray in mist ensures good lubrication for machines.
5. CE and EX-proof certified.

How to order

USL	B	—	02	N	W
Stainless Steel Lubricator	Pressure		Port size	Thread	Bowl viewer
	Blank : 0~60kgf/cm ² B : 0~12kgf/cm ²		02 : 1/4" 03 : 3/8" 04 : 1/2" 06 : 3/4" 08 : 1"	Blank : G N : NPT R : Rc	Blank : W/O viewer W : Viewer (for 3/4", 1") (See "Remark below")

*Remark: Only for USLB (0 ~ 12 kgf/cm²)

Specifications

Model	USL-02	USL-03	USL-04	USL-06	USL-08
Port size	1/4"	3/8"	1/2"	3/4"	1"
Fluid	Compressed air				
Body material	Stainless steel SUS316				
Bowl material	Stainless steel SUS316				
Operating pressure range	USL: 0 ~ 60 kgf/cm ² , USLB: 0 ~ 12 kgf/cm ²				
Lubricator bowl capacity	130cc		220cc		
Max. inlet pressure	60 kgf/cm ² (Bowl viewer: 15 kgf/cm ²)				
Max. flow rate l/min (ANR)	2500	2525	4100	B13200/26400	
Ambient temperature	-10°C ~ 70°C				
Proof pressure	80 kgf/cm ² (Bowl viewer: 40 kgf/cm ²)				
Net weight	1750g		3360g		
Accessories	Mounting bracket set				

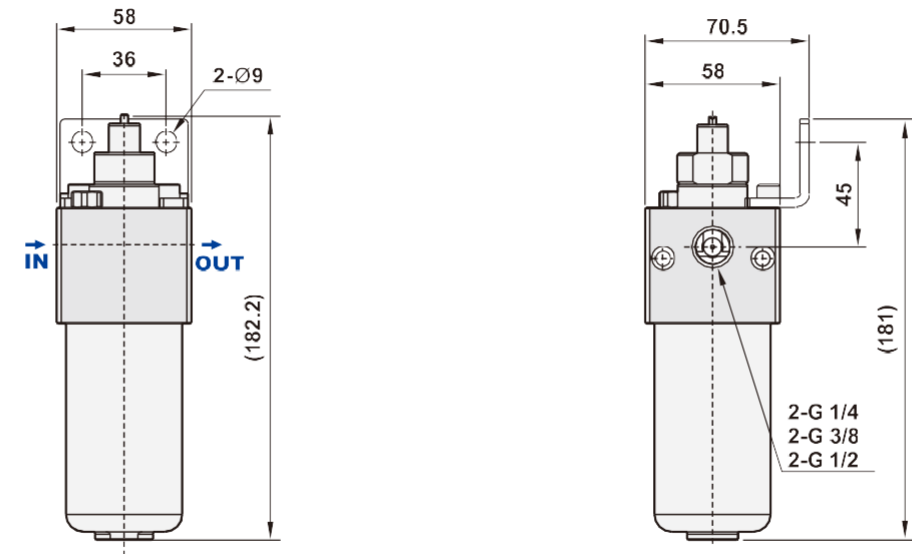
CE Ex II 2G Ex h IIC T4 Gb
II 2D Ex h IIC T135°C Db
-10 °C ≤ Ta ≤ 70 °C



*Lubricator oil (Recommended): ISO-VG32

Dimensions

USL-02, 03, 04



USL-06, 08

