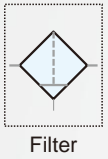


Symbol



Features

- * UV series removes particle effectively.
- * 40 μ m and 5 μ m filter element are easily interchangeable and replaceable.



How to order

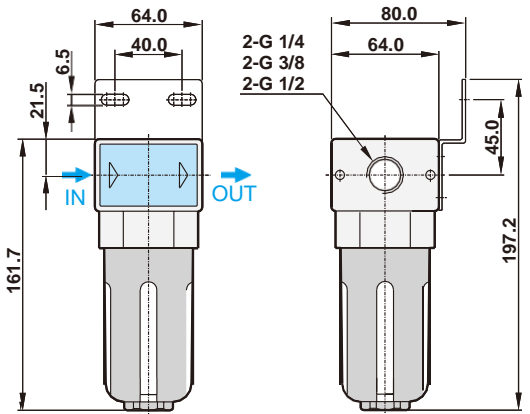
UV	02	N	C	B	A
Vacuum filter	Port size	Thread	Filtration	Mounting bracket	Bowl
	02 1/4"	Blank G	Blank 5 μ m	Blank W/O bracket	Blank Standard bowl
	03 3/8"	N NPT	C 40 μ m	B W/I bracket	A Anti-acid & alkali bowl
	04 1/2"	R Rc			AL Aluminum bowl (1/4"~1/2")

Specifications

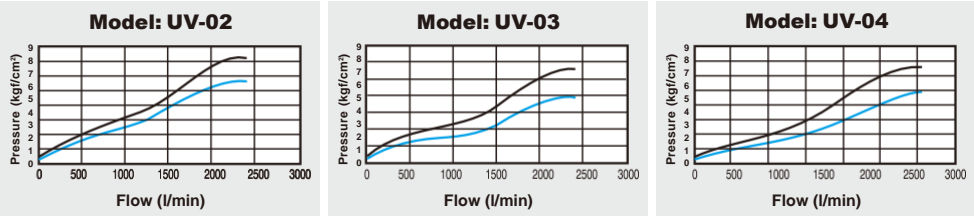
Model	UV-02	UV-03	UV-04
Port size	1/4"	3/8"	1/2"
Fluid	Compressed air		
Body material	Aluminum die-cast		
Bowl material	Polycarbonate (Standard)		
Filtration	5 μ m (Standard), 40 μ m (Option)		
Operating pressure range	-101.3kPa ~ 10 kgf/cm ²		
Proof pressure (Standard bowl)	15 kgf/cm ²		
Max. flow rate l/min (ANR)	2440	2450	3030
Ambient temperature	-10 $^{\circ}$ C ~ 60 $^{\circ}$ C		
Filter bowl capacity	105cc		
Net weight	530g		

Dimensions

UV-02, 03, 04



Flow chart



Note:
 X axis: Flow (l/min)
 Y axis: Pressure (kgf/cm²)
 Blue line (P0) = Outlet pressure
 Black line (P1) = Inlet pressure
 P1-P0 = Pressure range